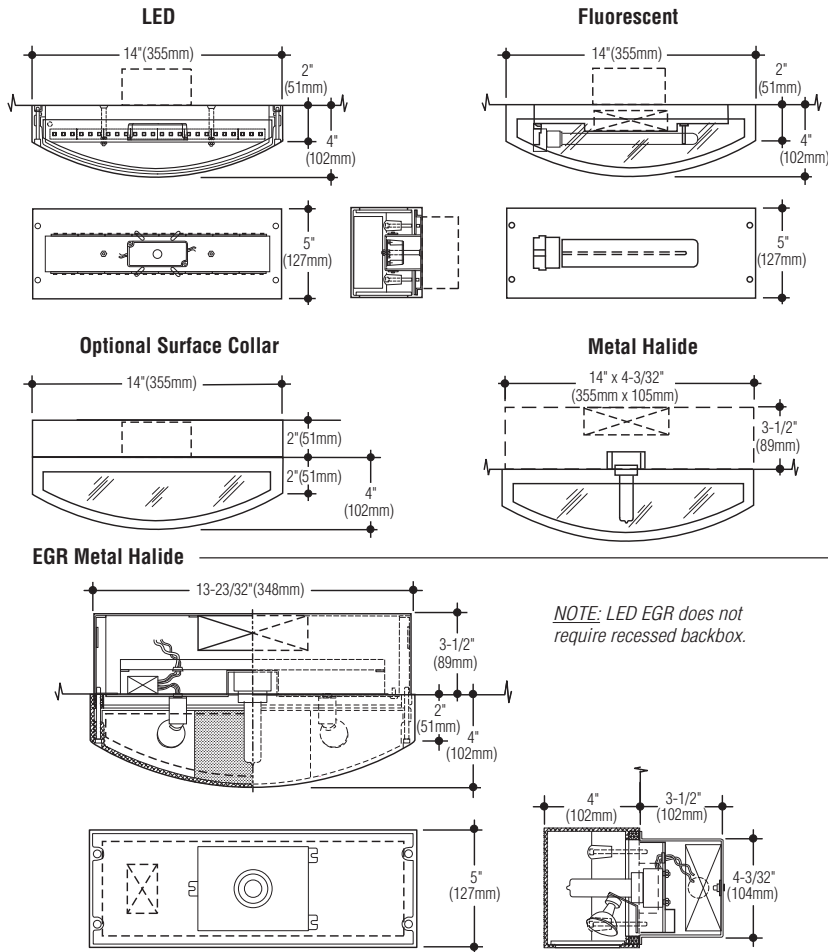


JOB NAME _____

TYPE _____

CATALOG NUMBER _____

Steplites



FannyPack

2500 SERIES 2500-EGR SERIES

SPECIFICATIONS

Construction

- Housing is cast aluminum, mounted to a 16 gauge stainless steel back mounting plate or back housing
- Finish is textured black polyester. Other finishes are available
- Trim is fastened in place by stainless steel mounting screws
- Fixture is furnished with diffuser in either top, bottom, or both
- Diffuser is set in silicone
- ADA compliant
- cETLus listed
- LED and fluorescent models suitable for wet locations on any wall construction
- HID models suitable for wet locations in concrete pour/block wall construction.

Electrical

- Fixture is wired for high performance LED, compact fluorescent, or metal halide lamps
- Integral drivers and ballast are universal voltage; secondary MR11 lamps require 120V power supply
- Two 20W MR11 lamps are required with EGR option (HID and LED models only).

Mounting

- Slots on mounting plate allow mounting directly to junction box for LED and fluorescent models
- Recessed housing for LED and fluorescent with emergency battery, and HID models, have holes for mounting
- Fixture may be mounted with diffuser(s) in any position.

Catalog Number Lamp

- LED 6.0W, (503 lm @ 3000°K per diffuser)
- LED 14.4W, (860 lm @ 3000°K per diffuser)
- One 18W, (FT18W/2G11 base) compact fluorescent
- One 26W, (CFQ26W/G24q-3 base) compact fluorescent
- One 35W, (CDM35T6/G12 base) metal halide
- One 70W, (CDM70T6/G12 base) metal halide
- LED 12.6W, (705 lm @ 3000°K) and two 20MR11
- One 35W, (CDM35T6/G12 base) metal halide and two 20MR11
- One 70W, (CDM70T6/G12 base) metal halide and two 20MR11

One diffuser

- L2500W-1-(diffuser)
- L2500W-1-HO-(diffuser)
- F2518W-1-(diffuser)
- F2526W-1-(diffuser)
- HMH2535W-1-(diffuser)
- HMH2570W-1-(diffuser)
- L2500W-1-EGR
- HMH2535W-1-EGR
- HMH2570W-1-EGR

Two diffusers

- L2500W-2-(top diffuser/bottom diffuser)
- L2500W-2-HO-(top diffuser/bottom diffuser)
- F2518W-2-(top diffuser/bottom diffuser)
- F2526W-2-(top diffuser/ bottom diffuser)
- HMH2535-2-(top diffuser/ bottom diffuser)
- HMH2570-2-(top diffuser/ bottom diffuser)

Options

Alternate finishes: Metallic aluminum or textured white.

Add suffix -ALU or -WHT.

Diffusers: Select one or two diffuser choices. If same diffuser selected for two-diffuser models, state selection twice. (Example: L2518-2-ST/ST)

Add suffixes as required.

Frosted tempered glass -FG. Perforated panel/glass -PF.

Opal glass diffuser -OPL. Prismatic tempered glass -C73.

Ribbed glass spread lens -ST.

Surface collar: Allows surface ballast and emergency ballast/driver location and/or surface conduit capability.

Adds 2" (no longer complies with ADA) to overall fixture depth. Add suffix -SC.

Emergency battery: Non-EGR LED and fluorescent models only. Provides 90 minutes operation. Requires recessed housing or surface collar. Add suffix -EM

LED colors: 4000°K (584 lm), -HO (995 lm).
Add suffix -4K.

Amber. Add suffix -AMB (Not available on EGR models).
Blue. Add suffix -BLU (Not available on EGR models).

Dimming: Universal voltage 0-10V driver.
Add suffix -DIM.

How to Specify

1. Select catalog number.
2. Add suffixes for options required to meet job conditions.

COLE
Lighting

C.W. Cole & Company, Inc.
2560 N. Rosemead Boulevard
South El Monte, CA 91733-1593

Tel. (626) 443-2473

Fax (626) 443-9253

info@colelighting.com

www.colelighting.com