

JOB NAME _____

TYPE _____

CATALOG NUMBER _____

Steplites

150 SERIES

SPECIFICATIONS

Construction

- Faceplate is die-formed 20 gauge steel with white polyester coating, retained by stainless steel pan-head screws
- 150H and 150E utilize standard electrical junction boxes as housings
- SL150H, 150G and 150G/PA have 18 gauge electro-galvanized steel housing with white polyester coating
- Faceplate is gasketed for light leak
- 150E and (LED) 150H diffuser is clear/frosted acrylic
- Reflector is constructed of white die-formed aluminum
- cETLus listed, suitable for installation in any wall construction fixture
- Suitable for damp locations.

Electrical

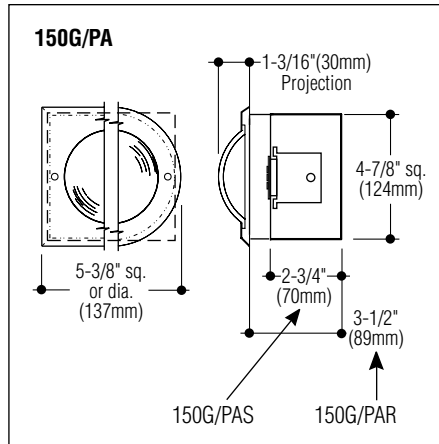
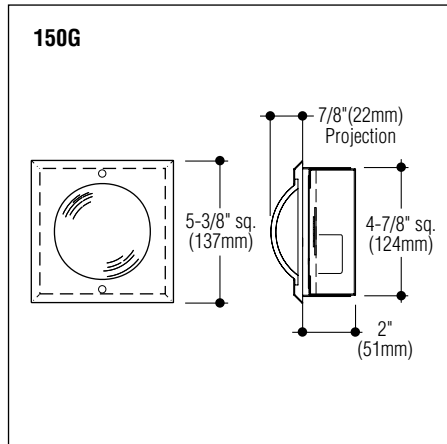
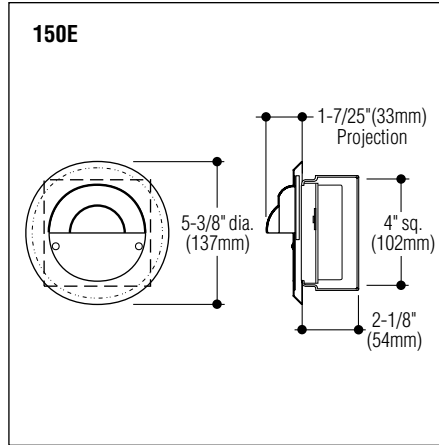
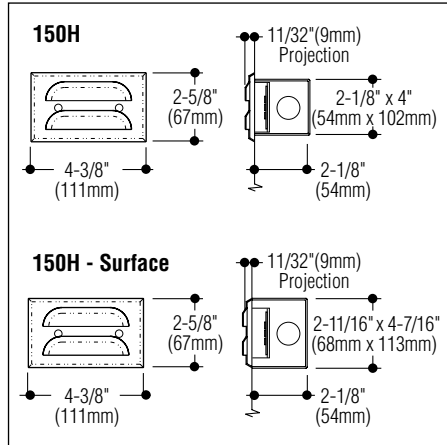
- Fixture is wired for either LED or one 7W C7 candelabra base incandescent lamp (25W A19 medium base for 150G/PA models)
- Integral driver is standard universal voltage, except on L150H model which is 120V only and features ELV dimming capability
- Fixtures featuring thru-wire capability: 150E, 2 wires in, 2 wires out; T150G, 2 wires in, 2 wires out; T150G/PA, 2 wires in, 2 wires out. Housing provided with 1/2" conduit on each side
- T150G/PA models have long-life diode prewired in circuit to meet PA codes.

Mounting

Housing has holes for mounting.

How to Specify

1. Select catalog number with desired features.
2. Add suffixes for options required to meet job conditions.



Catalog Numbers

Lamp	Faceplate	Options
LED 3.06W, (450 lm @ 3000°K)	Rectangular with louver, clear/frosted diffuser	<input type="checkbox"/> L150H
LED 3.06W, (450 lm @ 3000°K)	Rectangular with louver, clear/frosted diffuser	<input type="checkbox"/> SL150H**
LED 3.06W, (340 lm @ 3000°K)	Round with "eyelid", clear/frosted diffuser	<input type="checkbox"/> L150E
LED 3.06W, (340 lm @ 3000°K)	Square with round red diffuser	<input type="checkbox"/> L150G
LED 3.06W, (340 lm @ 3000°K)	Square with round blue diffuser, PA code	<input type="checkbox"/> L150G/PAS
LED 3.06W, (340 lm @ 3000°K)	Round with blue diffuser, PA code	<input type="checkbox"/> L150G/PAR
One 7W, C7 candelabra base incandescent	Rectangular with louver	<input type="checkbox"/> T150H
One 7W, C7 candelabra base incandescent	Round with "eyelid", clear/frosted diffuser	<input type="checkbox"/> T150E
One 7W, C7 candelabra base incandescent	Square with round red diffuser	<input type="checkbox"/> T150G
One 25W, A19 medium base incandescent*	Square with round blue diffuser, PA code	<input type="checkbox"/> T150G/PAS
One 25W, A19 medium base incandescent*	Round with blue diffuser, PA code	<input type="checkbox"/> T150G/PAR

Lumens shown are source.

* requires Osram/Sylvania lamp (3 15/16" M.O.L.)

** Surface fixture

Photometric data available for Steplites can be downloaded at: www.colelighting.com/downloads/1

Options

LED color: 4000°K (355 lm), 150H (470 lm).

Add suffix -4K.

Stainless steel faceplate: (except 150E)

Add suffix -N.

Tamperproof screws: Socket head faceplate screws. Add suffix -TP.

Diffuser color: White, red, blue, and green (150G only). Add suffix -WHT, -RED, -BLU or -GRN.

Alternate faceplate color: Black or metallic aluminum. Add suffix -BLK or -ALU.

Antimicrobial white paint: Resist microbial growth. Add suffix -AM



C.W. Cole & Company, Inc.
2560 Rosemead Boulevard
South El Monte, CA 91733-1593

Tel. (626) 443-2473

Fax (626) 443-9253

info@colelighting.com

www.colelighting.com