

JOB NAME _____

TYPE _____

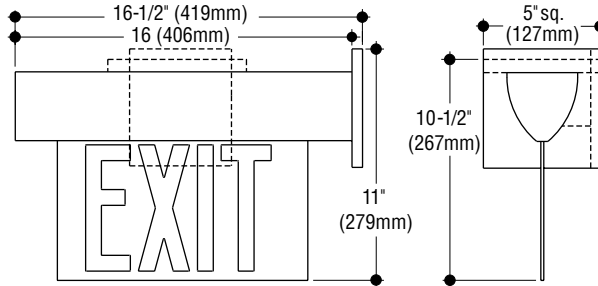
CATALOG NUMBER _____

Exits

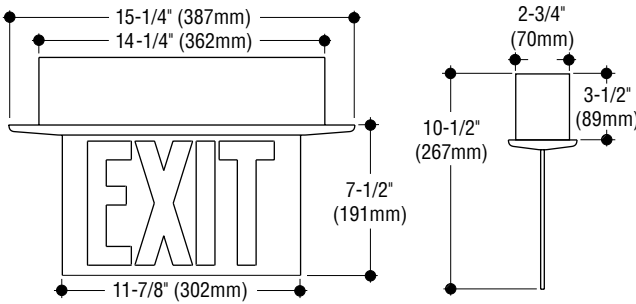
Interior/Exterior Applications

Krystal
Edgelighted Exit Signs

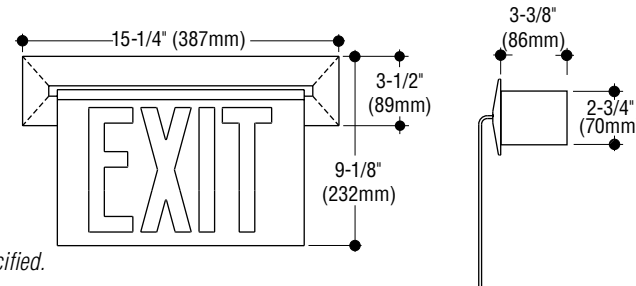
Surface



Recessed Ceiling mount



Recessed Wall mount



Arrows furnished if specified.

SPECIFICATIONS

Construction

- Cast aluminum trim with concealed hinge, 20 gauge steel housing on recessed models
- Cast aluminum housing on surface models
- Furnished with two 18 gauge steel mounting angles
- Letters are silkscreened on .125" clear acrylic
- Ceiling mounted models have white backing behind acrylic
- Brushed satin finish with clear coating.

Electrical

- Red or green LEDs are dual-circuit and dual-voltage
- When emergency battery operation is specified, all components are contained in housing. Nickel cadmium battery, test light and button are included with the -EM option.

Mounting

- Surface signs mount to junction box.
- Recessed housing has holes for mounting.

Catalog Numbers	Surface					Recessed		
	Single Face			Double Face		Single Face	Double Face	
Lamps	Back	Ceiling	End	Ceiling	End	Ceiling	Recessed Wall	Ceiling
LED .4W (Red), .3W (Green)	<input type="checkbox"/> KWRL-612	<input type="checkbox"/> KCRL-612	<input type="checkbox"/> KBRL-612	<input type="checkbox"/> KCRLD-612	<input type="checkbox"/> KBRLD-612	<input type="checkbox"/> KSRL-612	<input type="checkbox"/> KWSRL-612	<input type="checkbox"/> KSRLD-612

Required suffixes

- Letter color -RED -GRN
 Voltage -120 -277

Options

Directional arrows:

- Arrow left -AL.
- Arrow right -AR.
- Doublehead -A2.
- Left and right (for double face) -A.

Tamperproof screws: Socket head faceplate screws. Add suffix -TP.

Emergency battery operation: Integral circuitry provides 90 minutes of operation. Add suffix -EM.

Pendant mount: Provides canopy and one 18" stem. Use ceiling model number and add suffix -S1.

Custom color: Contact factory for custom preference. Add suffix -CC.

How to Specify

1. Select catalog number with desired features.
2. Add suffixes for options required to meet job conditions.



C.W. Cole & Company, Inc.
2560 N. Rosemead Boulevard
South El Monte, CA 91733-1593

Tel. (626) 443-2473
Fax (626) 443-9253
info@colelighting.com
www.colelighting.com