

JOB NAME _____

TYPE _____

CATALOG NUMBER _____

Exits

Interior/Exterior Applications

Aluminex
Aluminum Exit Signs

SPECIFICATIONS

Construction

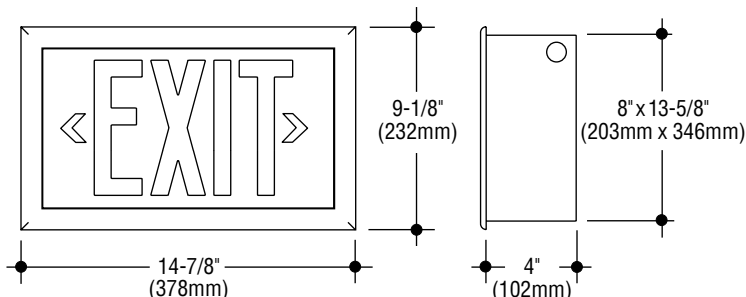
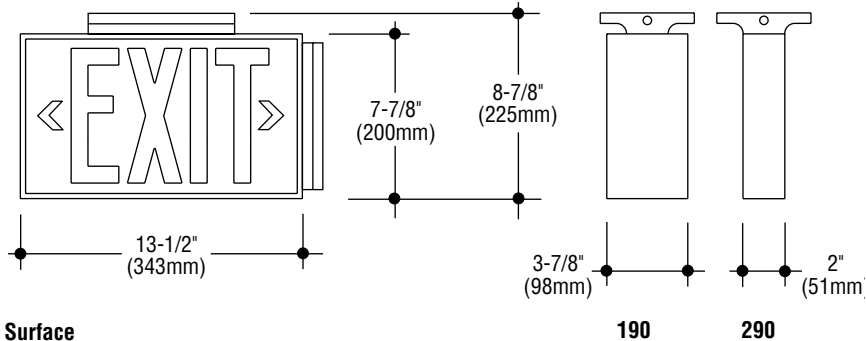
- Sign is constructed from extruded aluminum
- Recessed housing is 16 gauge steel, suitable for poured concrete construction
- Bracket is die-cast aluminum
- Surface housing, recessed sign trim, and bracket finish is semi-gloss black paint
- Face is natural satin finish with clear anodize
- Letters and arrows are stencil cut in faceplate, backed with .125" acrylic diffuser
- cETL listed, suitable for wet locations when specified.

Electrical

- Red or green LEDs are dual-circuit and dual-voltage
- When emergency battery operation is specified, all components are contained in housing (available for 190 Series only). Nickel cadmium battery, test light and button are included with the -EM option.

Mounting

Surface signs mount to junction box. Recessed housing has holes for mounting



Recessed

Doublehead arrows shown. Arrows only furnished as specified.

| Catalog Numbers | 190 Series | | | | | | 290 Series | | | | | |
|-----------------------------|-------------------------------|-------------------------------|-------------------------------|-------------------------------|--------------------------------|--------------------------------|-------------------------------|-------------------------------|-------------------------------|--------------------------------|--------------------------------|--|
| | Single Face | | | Double Face | | | Single Face | | | Double Face | | |
| Lamps | Back | Ceiling | End | Recessed | Ceiling | End | Back | Ceiling | End | Ceiling | End | |
| LED .4W, (Red), .3W (Green) | <input type="checkbox"/> L195 | <input type="checkbox"/> L196 | <input type="checkbox"/> L198 | <input type="checkbox"/> L197 | <input type="checkbox"/> LD196 | <input type="checkbox"/> LD198 | <input type="checkbox"/> L295 | <input type="checkbox"/> L296 | <input type="checkbox"/> L298 | <input type="checkbox"/> LD296 | <input type="checkbox"/> LD298 | |

Required suffixes

- Letter color -RED -GRN
Voltage -120 -277

Options

Directional arrows:

- Arrow left -AL.
- Arrow right -AR.
- Doublehead -A2.
- Left and right (for double face) -A.

Tamperproof screws: Socket head faceplate screws. Add suffix -TP.

Emergency battery: Integral circuitry provides 90 minutes of operation (190 Series only).

Add suffix -EM.

Weatherproof: Add suffix -W.

Pendant mount: Provides canopy and one 18" stem.

Use ceiling model number and add suffix -S1.

Pedestal mount: Provides threaded flange on bottom for 1-1/4" pipe (190 series only).

Add suffix -PED.

Custom color: Contact factory for custom preference. Add suffix -CC.

How to Specify

1. Select catalog number with desired features.
2. Add suffixes for options required to meet job conditions.



C.W. Cole & Company, Inc.
2560 N. Rosemead Boulevard
South El Monte, CA 91733-1593

Tel. (626) 443-2473
Fax (626) 443-9253
info@colelighting.com
www.colelighting.com