

JOB NAME _____

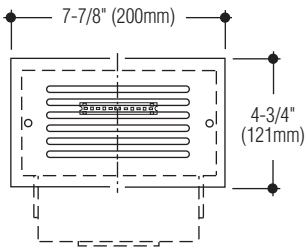
TYPE _____

CATALOG NUMBER _____

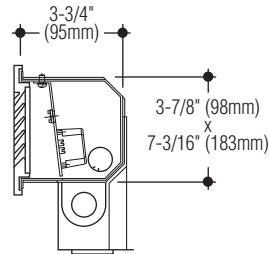
Steplites

157 SERIES

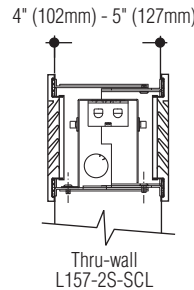
Sharp cutoff louver



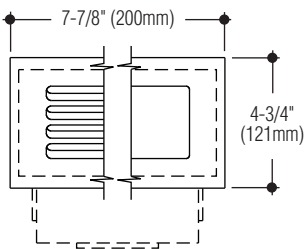
LED



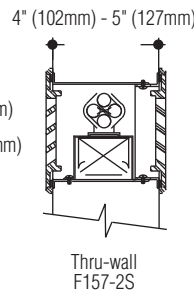
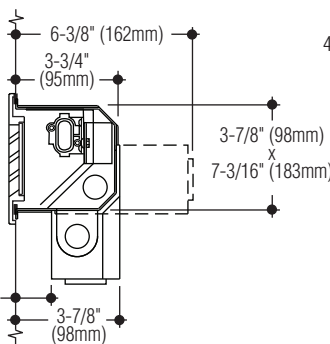
Double-sided



Louver or non-louver



Fluorescent



Surface fixture: 7-7/8"W x 4-3/4"H x 3-7/8"D

SPECIFICATIONS

Construction

- Recessed housing is constructed from die-formed 16 gauge electro-galvanized steel, finished with a white polyester coating
- Surface housing is cast aluminum with metallic aluminum polyester coating
- Faceplate is cast aluminum with metallic aluminum polyester coating, gasketed and retained by stainless steel screws
- Diffuser is frosted tempered glass, set in silicone sealant
- Reflector is constructed of die-formed white aluminum
- Optional junction box is cast aluminum with polyester coating
- Incandescent models cETLus listed, suitable for concrete pour/block wall construction only; LED and fluorescent models suitable for any wall construction
- All models suitable for wet locations.

Electrical

- Fixture is wired with high performance LEDs, one 40W A19 incandescent or one compact fluorescent lamp
- Integral driver is standard universal voltage
- Ballast is standard 120V (277V optional) electronic
- Standard recessed and surface housing allows for 4 thru-wiring, 2 in and 2 out
- Housing provided with 1/2" conduit knockout on each side suitable for 4 wire thru-wiring, 2 in and 2 out
- Optional junction box allows 8 wire thru-wiring, 4 in and 4 out. Provided with two 1/2" tapped conduit entrances in the bottom and one 1/2" tapped conduit entrance in each side.

Mounting

Housing has flange with holes for mounting.

Catalog Numbers	Recessed Fixtures		Thru-Wall		Surface Fixtures	
	Faceplate		Faceplates		Faceplate	
	Louver	Non-Louver	Louver	Non-Louver	Louver	Non-Louver
Lamp						
LED 1.5W, (126 lm @ 3000°K)*	<input type="checkbox"/> L157W	<input type="checkbox"/> L157GW	<input type="checkbox"/> L157W-2S	<input type="checkbox"/> L157GW-2S	<input type="checkbox"/> SL157W	<input type="checkbox"/> SL157GW
LED 3.6W, (215 lm @ 3000°K)*	<input type="checkbox"/> L157W-HO	<input type="checkbox"/> L157GW-HO	<input type="checkbox"/> L157W-2S-HO	<input type="checkbox"/> L157GW-2S-HO	<input type="checkbox"/> SL157W-HO	<input type="checkbox"/> SL157GW-HO
LED 7.2W, (430 lm @ 3000°K)*	<input type="checkbox"/> L157W-HO-2	<input type="checkbox"/> L157GW-HO-2	—	—	<input type="checkbox"/> SL157W-HO-2	<input type="checkbox"/> SL157GW-HO-2
One 7W, (2G7) compact fluorescent	<input type="checkbox"/> F157W	<input type="checkbox"/> F157GW	<input type="checkbox"/> F157W-2S	<input type="checkbox"/> F157GW-2S	<input type="checkbox"/> SF157W	<input type="checkbox"/> SF157GW
One 13W, (GX24q-1) compact fluorescent	—	—	<input type="checkbox"/> F157W-2S-13	<input type="checkbox"/> F157GW-2S-13	—	—
40W, A19 medium base incandescent	<input type="checkbox"/> T157W	<input type="checkbox"/> T157GW	<input type="checkbox"/> T157W-2S	<input type="checkbox"/> T157GW-2S	<input type="checkbox"/> ST157W	<input type="checkbox"/> ST157GW

*Indicated values for wattage and lumens doubled for thru-wall models.

Options

Junction box: Bottom or back mounted junction box for feed-thru. Add suffix -J (Not available with surface or thru-wall models).

Sharp cutoff louver: Below horizontal illumination. Add suffix -SCL.

Bronze faceplate: Satin finish, clear coated. Add suffix -B.

Stainless steel housing: 16 gauge stainless steel recessed housing. Add suffix -SS.

Alternate faceplate color: Black, white or custom color. Add suffix -BLK, -WHT or -CC.

Opal glass diffuser: Tempered. Add suffix -OPL.

Tamperproof screws: Socket head faceplate screws. Add suffix -TP.

Voltage: 277V Fluorescent ballast. Add suffix -277. (LED universal voltage standard)

Dimming: Universal voltage, 0-10V driver. Add suffix -DIM.

LED colors: 4000°K (146 lm), -HO (249 lm), -HO-2 (498 lm). Add suffix -4K.

Amber (Not available in HO-2). Add suffix -AMB.

Blue (Not available in HO-2). Add suffix -BLU.

How to Specify

1. Select catalog number with desired features.
2. Add suffixes for options required to meet job conditions.



C.W. Cole & Company, Inc.
 2560 N. Rosemead Boulevard
 South El Monte, CA 91733-1593

Tel. (626) 443-2473
 Fax (626) 443-9253
 info@colelighting.com
www.colelighting.com