

JOB NAME _____

Type _____

CATALOG NUMBER _____

Steplites

2100E/3300E SERIES DOME

SPECIFICATIOIS

Construction

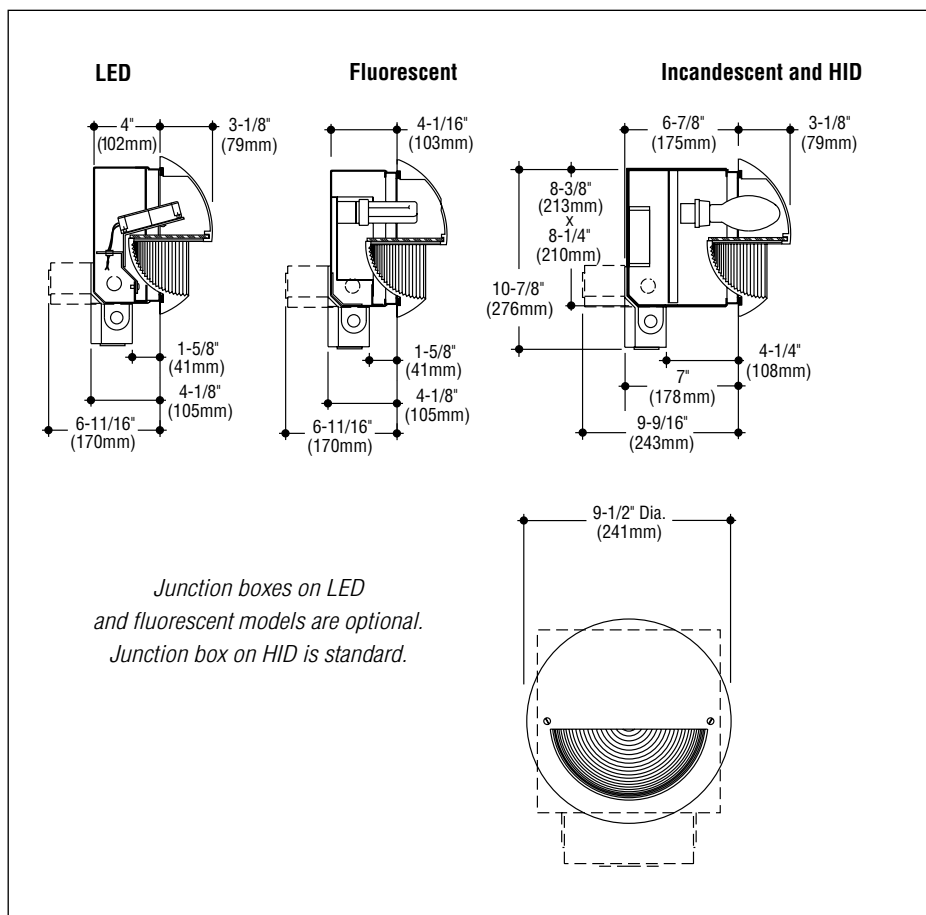
- Fixture housing is constructed from 16 gauge electro-galvanized die-formed steel finished with a white polyester coating
- Faceplate is cast aluminum with textured black coating, gasketed and retained by stainless steel screws
- Diffuser is clear tempered glass set in silicone sealant
- Reflector is constructed of die-formed white aluminum
- Junction box is cast aluminum with polyester coating; optional on LED, flourescent and incandescent models, standard on HID models
- LED and Fluorescent are suitable for any wall construction; all other models are for concrete pour/block wall construction only
- cETLus listed, suitable for wet locations.

Electrical

- Fixture is wired for lamps of varying types and wattages. Drivers and ballasts are universal voltage
- Junction box allows 8 wire thru-wiring, 4 in and 4 out. Provided with two 1/2" tapped conduit entrances in the bottom and one 1/2" tapped conduit entrance in each side.

Mounting

Housing has flanges with holes for mounting.



Catalog Numbers

Lamp

- | | |
|-------------------------------------|---|
| LED 12.6W, (690 lm @ 3000°K) | <input type="checkbox"/> L2100EW |
| One 13W, (GX24q1) fluorescent, 32°F | <input type="checkbox"/> F2113EW |
| Two 13W, (GX24q1) fluorescent, 32°F | <input type="checkbox"/> F2113EW-2 |
| 50W, metal halide, medium base | <input type="checkbox"/> HMH3350EW |
| 100W, A21 medium base incandescent | <input type="checkbox"/> T2100EW |

Options

Bronze faceplate: Satin finished, clear coated. Add suffix **-B**.

Junction box: Bottom or back mounted as required for feed-thru. Standard on HID models. Add suffix **-J**.

Alternate faceplate color: Metallic aluminum or textured white. Add suffix **-ALU** or **-WHT**.

Tamperproof screws: Socket head faceplate screws. Add suffix **-TP**.

Voltage: 277V ballast. Add suffix **-277**.

Dimming: Universal voltage, 0-10V driver. Add suffix **-DIM**

LED colors: 4000°K (146 lm). Add suffix **-4K**.

How to Specify

1. Select catalog number with desired features.
2. Add suffixes for options required to meet job conditions.



C.W. Cole & Company, Inc.
2560 N. Rosemead Boulevard
South El Monte, CA 91733-1593

Tel. (626) 443-2473
 Fax (626) 443-9253
 info@colelighting.com
www.colelighting.com