

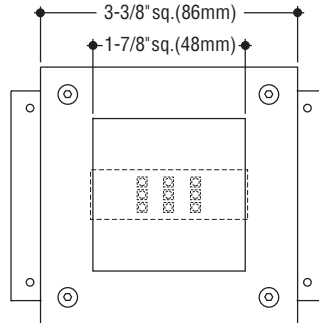
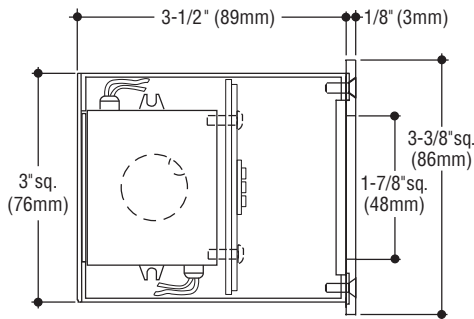
JOB NAME _____

TYPE _____

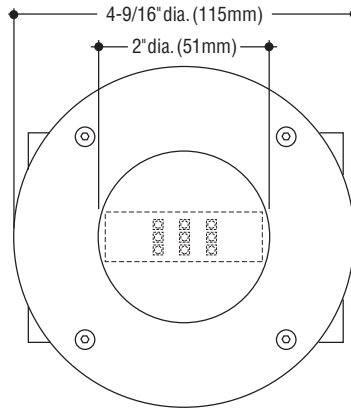
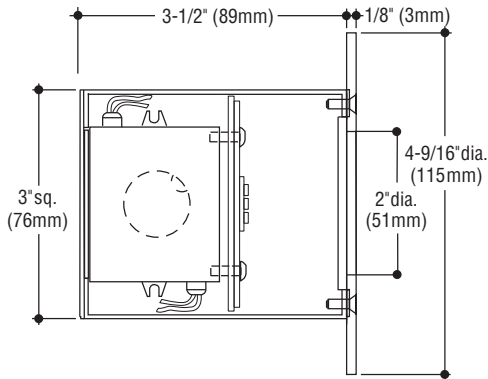
CATALOG NUMBER _____

Steplites L121 SERIES

LED square



LED round



SPECIFICATIONS

Construction

- Housing is 16 gauge stainless steel suitable for concrete pour installations
- Faceplates are 1/8" metallic silver powder-coated aluminum or satin finished stainless steel, passivated for maximum rust resistance
- Wet location fixtures are furnished with stainless steel socket head tamperproof screws; fastenerless faceplates available for damp or dry locations
- Diffuser is frosted or opal tempered glass set in silicone sealant
- cETLus listed for installation in wet locations.

Electrical

- High performance LEDs are available in a variety of colors
- Integral universal voltage driver is standard; 120V ELV dimming driver optional
- Housing provided with two 1/2" conduit knockouts.

Mounting

Housing has flanges with holes for mounting.

Catalog Number Lamp	Square Faceplate		Round Faceplate	
	Aluminum	Stainless Steel	Aluminum	Stainless Steel
LED 3.15W, (450 lm @ 3000°K)	<input type="checkbox"/> L121SW-AL	<input type="checkbox"/> L121SW-N	<input type="checkbox"/> L121RW-AL	<input type="checkbox"/> L121RW-N

Photometric data available for Steplites can be downloaded at: <https://www.colelighting.com/photometrics>

Options

LED colors:

4000°K (470 lm). Add suffix **-4K**,

Blue. Add suffix **-BLU**,

Amber. Add suffix **-AMB**,

590nm Amber (FWC compliant).

Add suffix **-AMB/590**

Voltage: 277V driver, universal voltage.

Add suffix **-277**.

Dimming: ELV dimming driver (120V only).

Add suffix **-DIM**

Opal glass diffuser: Tempered.

Add suffix **-OPL**.

Louvered faceplate: 3/16" thick, narrow

louvered faceplate. Add suffix **-LVR**.

Bronze faceplate: Solid bronze satin finish,

clear coated. Add suffix **-B**.

Alternate faceplate color: ("AL" only):

White. Add suffix **-WHT**,

Black. Add suffix **-BLK**,

Custom color (consult factory for choices).

Add suffix **-CC**.

Two hole: Faceplate with two fasteners.

Add suffix **-2H**.

No hole: No visible fasteners (damp or dry locations only). Substitute **-NH** for W.

How to Specify

1. Select catalog number.

2. Add suffixes for options required to meet job conditions.



C.W. Cole & Company, Inc.
2560 Rosemead Boulevard
South El Monte, CA 91733-1593

Tel. (626) 443-2473

Fax (626) 443-9253

info@colelighting.com

www.colelighting.com