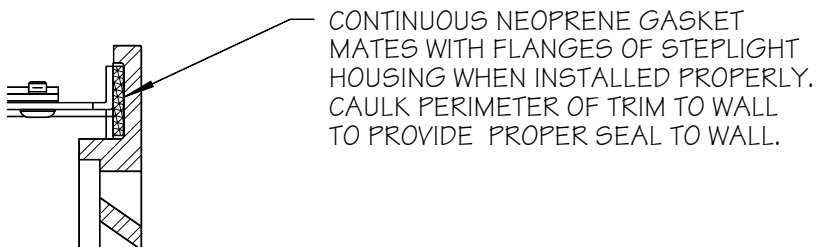
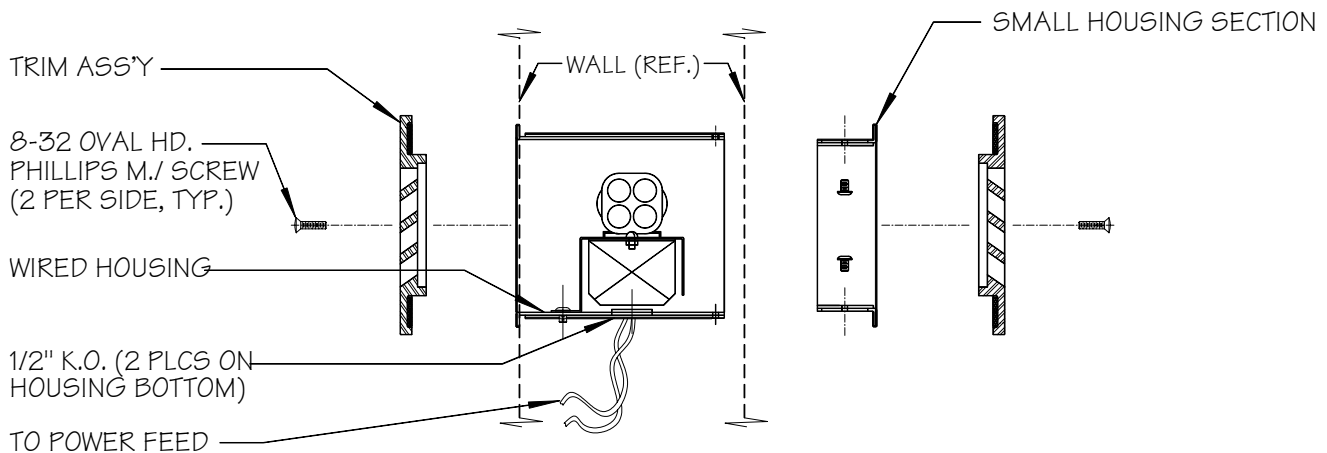


Installation Instruction Sheet

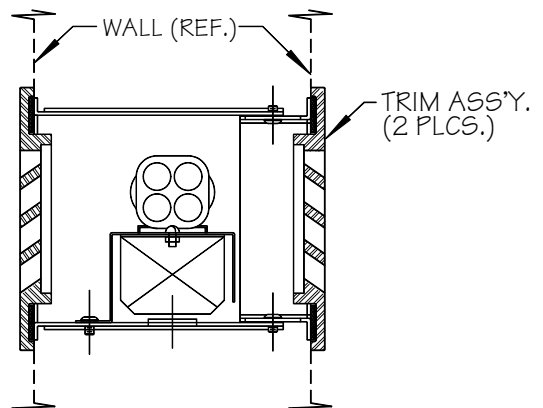
157-2S-13-120

Installation Instructions:

1. Ensure that electrical power to unit is off.
2. Slip wired housing into wall & make wire splice connections to power feed.
3. Attach smaller housing half (adjustable up to 1-1/4" for different wall thicknesses) using supplied phillips hd. screws
4. Attach louvered trims on ea. side of wall using 8-32 oval hd. phillips m./ screws supplied (2 per side, 4 total).



COMPLETED INSTALLATION



NOTE:

- * THIS PRODUCT MUST BE INSTALLED IN ACCORDANCE WITH THE APPLICABLE INSTALLATION CODE BY A PERSON FAMILIAR WITH THE CONSTRUCTION AND OPERATION OF THE PRODUCT AND THE HAZARDS INVOLVED.
- * CONTACT WITH ACID-WASH OF ANY TYPE TO ANY SURFACE OF STEPLIGHT WILL/MAY VOID WARRANTY.
- * RECESSED HOUSING NOT SEALED FROM MOISTURE. PROTECTION MUST BE PROVIDED TO PREVENT WATER FROM ENTERING HOUSING.

REVISIONS

10/22/04

9/7/10

1/2/13-E.V.

COLE
Lighting