

Series	LED	Opal Glass	Color LED	Dimming	Exterior	Interior	Feed-Thru	Other Options
L280	●	●	●	●	●	●	●	Faceplate finishes Shielding

## Steplites

### L280 SERIES

#### Description

The L280 Series of Steplites offers a stylish means for compact, low level walkway illumination. The satin or polished stainless steel finishes add a premium quality appearance and the ribbed lens provides a jewel-like sparkle. The rugged construction, engineering excellence, and quality make these fixtures ideal for specification in most public areas.

#### Features

The lens design spreads light to the sides while the internal optical design keeps the focus directed downward. Optional guards add physical protection as well as a striking visual feature. The integral power supply keeps installation simple.

#### Applications

The L280 Series Steplites are suitable for concrete pour/block wall and stud wall mounting in indoor or outdoor installations. They are ideal in low walls and step risers where wide spacing is desirable.

#### Custom

If your project demands a special fixture we would be pleased to discuss the production of modified standard fixtures or custom fixtures to suit your specific conditions. For more information on our custom capabilities, please contact your local Cole representative.



L285VW — Vertical lens guard



L285HW — Horizontal lens guard



L286W — No guard



L287W — Stainless steel louver

**280 Series Steplites are available with a choice of faceplate finishes, guard orientation, and lenses.**



**C.W. Cole & Company, Inc.**  
**2560 Rosemead Boulevard**  
**South El Monte, CA 91733-1593**

Tel. (626) 443-2473  
 Fax (626) 443-9253  
 info@colelighting.com  
[www.colelighting.com](http://www.colelighting.com)

## Steplites

### L280 SERIES

#### SPECIFICATIONS

##### Construction

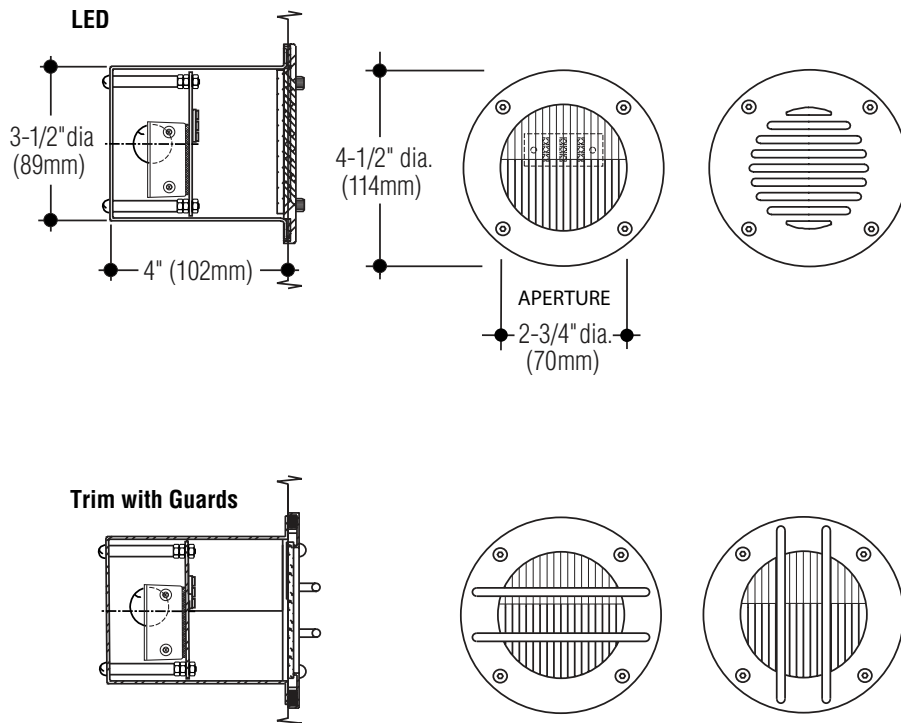
- Housing is spun 16 gauge stainless steel suitable for concrete pour installation
- Spun stainless steel faceplates, passivated for maximum rust resistance, are gasketed and retained by four stainless steel tamperproof button-head fasteners
- L285V/H Guard is 3/16" diameter stainless steel
- Spread lens is vertically ribbed tempered glass set in silicone sealant
- cETLus listed, suitable for wet locations in any wall construction.

##### Electrical

- Fixture is wired with high performance LEDs
- LEDs are available in a variety of colors
- Integral universal driver is standard; 120V ELV dimming driver optional
- One 1/2" conduit knockout provided on each side of housing. Suitable for 4 wire thru-wiring, 2 in and 2 out.

##### Mounting

Housing has flanges with holes for mounting.



#### Catalog Number

Lamp	Vertical Guard	Horizontal Guard	Without Guard	Louver
LED 3.15W, (450 lm @ 3000°K)	L285VW	L285HW	L286W	L287W

Lumens shown are source.

Photometric data available for Steplites can be downloaded at: <https://www.colelighting.com/photometrics>

#### Options

##### Finishes:

Polished stainless steel trim. Add suffix **-PSS**.

Satin brass trim (with stainless steel guard on 285 models). Add suffix **-SBR**.

**Opal glass diffuser:** Tempered. Add suffix **-OPL**.

**Frosted glass diffuser:** Tempered. Add suffix **-FG**.

**Dimming:** ELV dimming driver (120V only)

Add suffix **-DIM**.

##### LED colors:

**4000°K** (470 lm). Add suffix **-4K**.

**Blue** Add suffix **-BLU**.

##### Amber:

Amber. Add suffix **-AMB**;

Amber 590nm (FWC compliant).

Add suffix **-AMB/590**

##### How to Specify

1. Select catalog number with desired features.
2. Add suffixes for options required to meet job conditions.



**C.W. Cole & Company, Inc.**  
 2560 Rosemead Boulevard  
 South El Monte, CA 91733-1593

Tel. (626) 443-2473

Fax (626) 443-9253

info@colelighting.com

[www.colelighting.com](http://www.colelighting.com)