

Series	LED	Color LED	E26 Med. Base	Dimming	Exterior	Interior	Feed-Thru	Other Options
L2159/ L2159D	•	•	•	•	•	•	•	Faceplate colors Junction box

## Steplites

### L2159 SERIES L2159D SERIES DIRECTIONAL

#### Description

The L2159/L2159D Series of Steplites is a low-profile site fixture. Its width allows relatively wide light distribution to the side in a variety of interior or exterior locations. The rugged construction, engineering excellence, and quality make these fixtures ideal for specification in most public areas.

#### Features

Louvers in the L2159 Series are more widely spaced than in most fixtures of this type, allowing for significantly greater forward projected illumination. The thick cast aluminum louvered faceplate also provides exceptional durability. The L2159D Series has a spread lens facing slightly downward for optimal illumination and minimized visual glare. Cole Steplites feature an optional cast aluminum junction box which may be easily field mounted to either the back or bottom of the housing to best suit installation conditions.

#### Applications

The L2159/L2159D Series Steplites are suitable for concrete pour/block wall and stud wall mounting in indoor or outdoor installations. They are ideal in low walls and step risers where wide spacing is desirable.

#### Custom

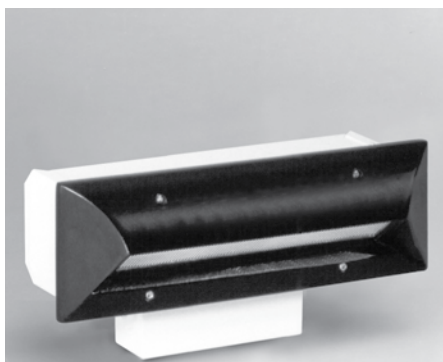
If your project demands a special fixture, we would be pleased to discuss the production of modified standard fixtures or custom fixtures to suit your specific conditions. For more information on our custom capabilities, please contact your local Cole representative.



L2159W-SCL-J



L2159GW-J



L2159DW-J-BLK — Directional



LED color options include blue and amber.



L2159GW-B-OPL



The junction box on Cole Steplites may be field mounted to the back or bottom of the fixture.



C.W. Cole & Company, Inc.  
2560 Rosemead Boulevard  
South El Monte, CA 91733-1593

Tel. (626) 443-2473  
Fax (626) 443-9253  
info@colelighting.com  
[www.colelighting.com](http://www.colelighting.com)

## Steplites

### L2159 SERIES L2159D SERIES DIRECTIONAL

#### SPECIFICATIONS

##### Construction

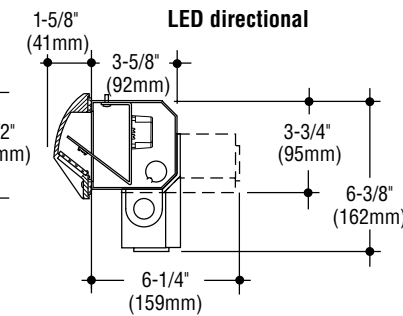
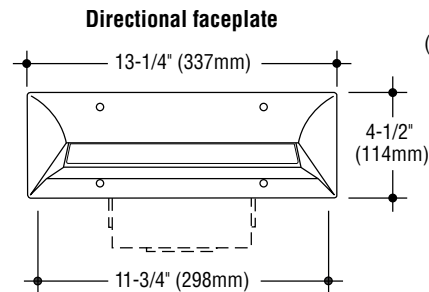
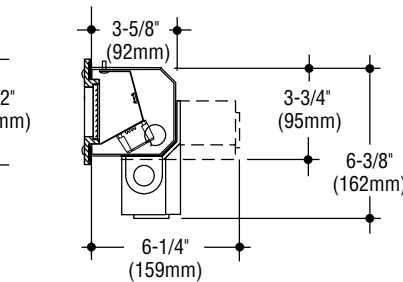
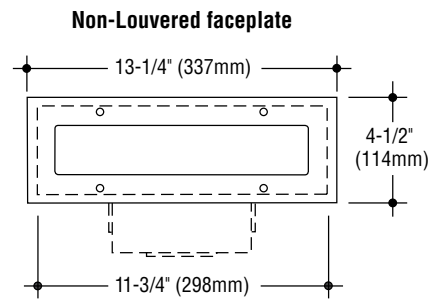
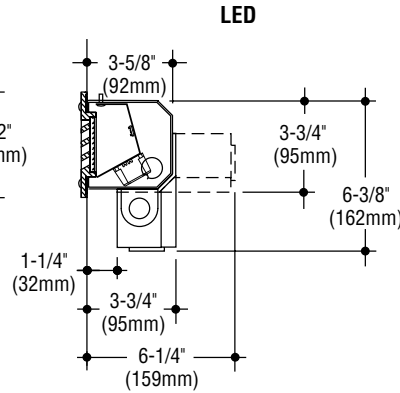
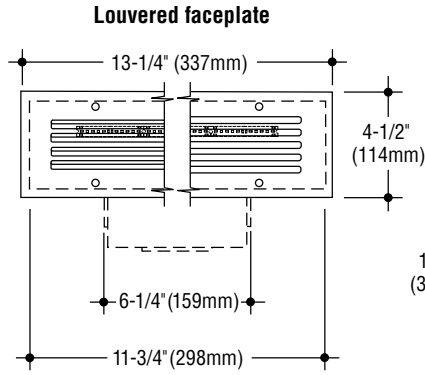
- Fixture housing is constructed from die-formed 16 gauge electro-galvanized steel finished with a white polyester
- Faceplate is cast aluminum, with metallic aluminum powder coating, gasketed and retained by stainless steel screws
- Diffuser is frosted tempered glass on louvered and non-louvered models, and vertically-ribbed tempered spread lens on Directional models. Each is set in silicone sealant
- Optional junction box is cast aluminum with polyester coating
- cETLus listed, suitable for wet locations in any IC, non-IC and concrete/pour wall construction.

##### Electrical

- Fixture is wired with high performance LEDs and are available in a variety of colors
- Integral driver is standard universal voltage; optional 0-10v dimming driver available
- Recessed housing provided with 1/2" conduit knockout on each side, suitable for 4 wire thru-wiring, 2 in 2 out
- Optional junction box allows 8 wire thru-wiring, 4 in 4 out. Provided with two 1/2" tapped conduit entrances in the bottom and one 1/2" conduit entrance in each side of housing.

##### Mounting

Housing has flanges with holes for mounting.



#### Catalog Numbers

##### Lamps

LED 4.5W, (377 lm @ 3000°K)  
LED 9.4W, (993 lm @ 3000°K)  
LED 18.8W, (1986 lm @ 3000°K)

Lumens shown are source. Photometric data available for Steplites can be downloaded at: <https://www.colelighting.com/photometrics>

#### Faceplate

	Louwer	Non-Louwer	Directional
	L2159W	L2159GW	L2159W-HO
	L2159W-HO	L2159GW-HO	L2159DW-HO
	L2159W-HO-2	L2159GW-HO-2	L2159DW-HO-2

#### Options

**Sharp cutoff louver:** Below horizontal illumination. Add suffix **-SCL**.

**Cast Bronze faceplate:** Satin finished, clear coated. Add suffix **-B**.

**Opal glass diffuser:** Tempered (Not available on directional models). Add suffix **-OPL**.

**Tamperproof screws:** Socket head faceplate screws. Add suffix **-TP**.

**Voltage:** 277V. Add suffix **-277**.

**Alternate faceplate color:** Black, White or custom color. Add suffix **-BLK**, **-WHT** or **-CC** (Contact factory for custom preference).

#### LED colors:

**4000°K** (438lm), -HO (1152lm). Add suffix **-4K**.

**Amber** (FWC compliant, 590nm). Add suffix **-AMB**.

**Blue** Add suffix **-BLU**.

**Dimming:** Universal voltage 0-10V driver.

Add suffix **-DIM**.

**Emergency battery (4 Watt):** Provides up to 90 minutes operation. Add suffix **-EM**.

**Junction box:** Bottom or back mounted as required for feed-thru. Add suffix **-J**.

#### How to Specify

1. Select catalog number with desired features.
2. Add suffixes for options required to meet job conditions.



**C.W. Cole & Company, Inc.**  
2560 Rosemead Boulevard  
South El Monte, CA 91733-1593

Tel. (626) 443-2473  
Fax (626) 443-9253  
info@colelighting.com  
[www.colelighting.com](http://www.colelighting.com)