

## Steplites

Series	LED	Color LEDs	E26 LED Med. Base	Dimming	Exterior	Interior	Feed-Thru	Other Options
2156	●	●	●	●	●	●	●	Faceplate colors Cast Bronze Faceplate Emergency battery Junction box

## 2156 SERIES

### Description

This large recessed Steplite is one of the most popular series. With its horizontal and vertical options, the 2156 Series is appropriate for a large variety of interior and exterior applications. The rugged construction, engineering excellence, and quality make these fixtures ideal for specification in most public areas.

### Features

This series is offered in both vertical and horizontal formats and with optional surface mounting. Louvers in the 2156 Series are more widely spaced than in most fixtures of this type, allowing for significantly greater forward projected illumination. Exceptional durability is provided by the thick cast aluminum faceplate and the tempered glass diffuser. Louvered models offer even greater protection to the diffuser while controlling the distribution of the light. Cole Steplites feature a cast aluminum junction box which may be easily field mounted to either the back or bottom of the housing to best suit installation conditions.

### Applications

The 2156 Series Steplites are suitable for concrete pour and stud wall mounting in indoor and outdoor installations. These LED fixtures will work extremely well in cold climates and may be specified for interior combustible conditions. The vertical format is ideal for bollard applications.

### Custom

If your project demands a special fixture we would be pleased to discuss the production of modified standard fixtures or custom fixtures to suit your specific conditions. For more information on our custom capabilities, please contact your local Cole representative.



L2156W-J



L2156GW-J-WHT



L2156VW-J-BLK



SL2156W-B

2156 Series Steplites are available in louvered or non-louvered faceplates, in vertical or horizontal formats. A cast aluminum surface housing is also offered.



L2156W Interior

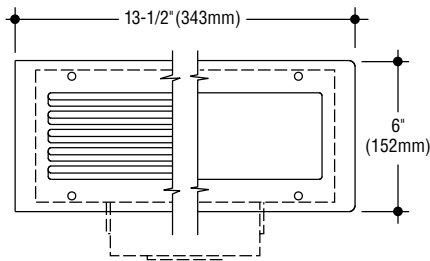
The junction box on Cole Steplites may be field mounted to the back or bottom of the fixture.



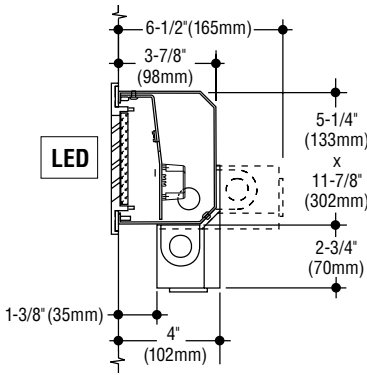
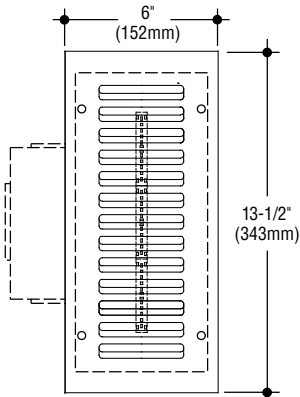
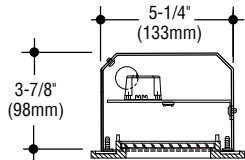
C.W. Cole & Company, Inc.  
2560 Rosemead Boulevard  
South El Monte, CA 91733-1593

Tel. (626) 443-2473  
Fax (626) 443-9253  
info@colelighting.com  
[www.colelighting.com](http://www.colelighting.com)

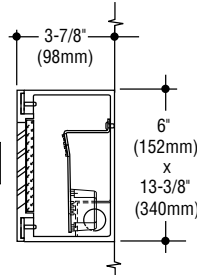
## Louvered or Non-Louvered Trim



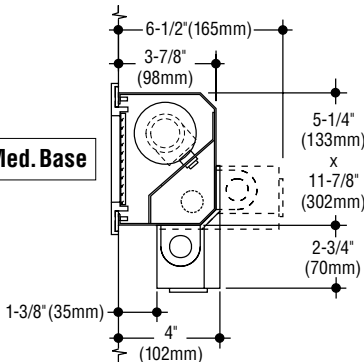
## Louvered Vertical Housing



## Surface



## E26/Med. Base



## Steplites

### 2156 SERIES

#### SPECIFICATIONS

##### Construction

• Recessed housing is constructed from die-formed 16 gauge steel electro-galvanized finished with a white polyester coating • Surface housing and faceplate is cast aluminum with metallic aluminum polyester coating, gasketed and retained by stainless steel screws • Diffuser is frosted tempered glass set in silicone sealant • Reflector is constructed of die-formed white aluminum • Optional junction box is cast aluminum with polyester coating • cETLus listed, suitable for wet locations in any wall construction; Incandescent models are for concrete pour/block wall construction only.

##### Electrical

• Fixture is wired for high performance LEDs or two E26 medium base lamp socket • Integral driver is standard universal voltage; optional 0-10V dimming driver available • Recessed housing provided with 1/2" conduit knockout on each side, suitable for 4 wire thru-wiring, 2 in 2 out • Surface housing and optional junction box allow 8 wire thru-wiring, 4 in 4 out. Provided with two 1/2" tapped conduit entrances in the bottom and one 1/2" tapped conduit entrance in each side.

##### Mounting

Housing has flange with holes for mounting.

Catalog Numbers	Recessed Fixtures			Surface Fixtures		
	Faceplate			Faceplate		
Lamp	Louver/Hor.	Louver/Vert.	Non-Louver	Louver/Hor.	Louver/Vert.	Non-Louver
LED 4.5W, (377 lm @ 3000°K)	L2156W	L2156VW	L2156GW	SL2156W	SL2156VW	SL2156GW
LED 9.4W, (993 lm @ 3000°K)	L2156W-HO	L2156VW-HO	L2156GW-HO	SL2156W-HO	SL2156VW-HO	SL2156GW-HO
LED 18.8W, (1986 lm @ 3000°K)	L2156W-HO-2	L2156VW-HO-2	L2156GW-HO-2	SL2156W-HO-2	SL2156VW-HO-2	SL2156GW-HO-2
Two E26 medium base	T2156W	T2156VW	T2156GW	ST2156W	ST2156VW	ST2156GW

Lumens shown are source. Photometric data available for Steplites can be downloaded at: <https://www.colelighting.com/photometrics>

#### Options

**Junction box:** Bottom or back mounted as required for feed-thru. (Not for surface housing) Add suffix **-J**.

**Cast Bronze faceplate and surface housing:** Satin finished, clear coated. Add suffix **-B**.

**Tamperproof screws:** Socket head faceplate screws. Add suffix **-TP**.

**Alternate faceplate color:** Black, White or custom color. Add suffix **-BLK**, **-WHT** or **-CC** (Contact factory for custom preference).

**Emergency battery (4 Watt):** Provides up to 90 minutes operation. Add suffix **-EM**.

**Opal glass diffuser:** Tempered. Add suffix **-OPL**.

**Dimming:** Universal voltage 0-10V driver.

Add suffix **-DIM**.

**Voltage:** 277V. Add suffix **-277**.

**LED colors:**

**4000°K** (438lm), **-HO** (1152lm),

**-HO-2** (2304lm). Add suffix **-4K**.

**Amber\*** (FWC compliant, 590nm). Add suffix **-AMB**.

**Blue\*** Add suffix **-BLU**.

\*Not available in HO-2.

#### How to Specify

1. Select catalog number with desired features.
2. Add suffixes for options required to meet job conditions.



C.W. Cole & Company, Inc.  
2560 Rosemead Boulevard  
South El Monte, CA 91733-1593

Tel. (626) 443-2473

Fax (626) 443-9253

info@colelighting.com

[www.colelighting.com](http://www.colelighting.com)