

Series	Trim colors	LED colors	Diffuser color	Dimming	Exterior	Interior	Feed-Thru	Other Options
L159	•	•	•	•	•	•	•	Cast Bronze finish faceplate

Steplites

L159 SERIES

Description

The L159 Series of Steplites is an extremely compact, low profile site fixture ideal for applications such as step risers and low curbs. Its width allows relatively wide light distribution to the side in a variety of exterior locations. The rugged construction, engineering excellence, and quality make these fixtures ideal for specification in most public areas.

Features

Exceptional durability is provided by the thick cast aluminum faceplate and the tempered glass diffuser. The L159 Series features an integral feed-thru junction box.

Applications

LED modules work extremely well in cold climate conditions. The L159 Series Steplites are suitable for concrete pour/block wall mounting in indoor or outdoor installations. Their low profile makes them ideal for step risers.

Custom

If your project demands a special fixture we would be pleased to discuss the production of modified standard fixtures or custom fixtures to suit your specific conditions. For more information on our custom capabilities, please contact your local Cole representative.



L159W



L159W — LED standard or high output



Optional faceplates and finishes available

L159W-BLK-AMB
— Black faceplate and
amber LEDs



Standard and high output LEDs are available in a variety of colors.

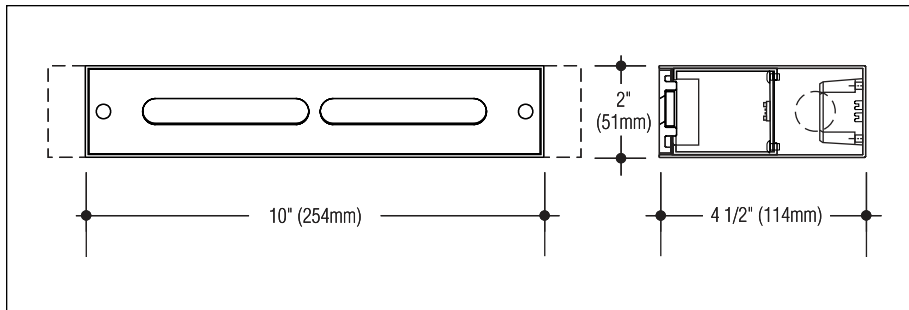


C.W. Cole & Company, Inc.
2560 Rosemead Boulevard
South El Monte, CA 91733-1593

Tel. (626) 443-2473
Fax (626) 443-9253
info@colelighting.com
www.colelighting.com

Steplites

L159 SERIES



Catalog Number

Lamp

LED 1.5W, (126 lm @ 3000°K)

LED 3.4W, (331 lm @ 3000°K)

L159W

L159W-HO

Lumens shown are source.

Photometric data available for Steplites can be downloaded at: <https://www.colelighting.com/photometrics>

Options

Cast Bronze faceplate: Satin finish, clear coated.

Add suffix **-B**.

Tamperproof screws: Socket head faceplate screws. Add suffix **-TP**.

Alternate faceplate color: Black, white or custom color. Add suffix **-BLK**, **-WHT** or **-CC**

Opal glass diffuser: Tempered. Add suffix **-OPL**.

Dimming: Universal voltage, 0-10V driver.

Add suffix **-DIM**.

LED colors:

4000°K (146 lm), **-HO** (384 lm). Add suffix **-4K**.

Blue Add suffix **-BLU**.

Amber (FWC compliant, 590nm).

Add suffix **-AMB**.

How to Specify

1. Select catalog number.
2. Add suffixes for options required to meet job conditions.

SPECIFICATIONS

Construction

- Fixture is constructed from die-formed 18 gauge stainless steel
- Faceplate is cast aluminum with metallic aluminum polyester coating, gasketed and retained by stainless steel screws
- Diffuser is frosted tempered glass set in silicone sealant
- cETLus listed, suitable for wet locations, in any wall construction.

Electrical

- Fixture is wired with standard or high performance LEDs
- Integral driver is standard universal voltage driver; optional 0-10 dimming driver
- One 1/2" conduit knockout provided on each side of housing, suitable for 4 wire thru-wiring, 2 in 2 out.

Mounting

Housing has flange with holes for mounting.

COLE
Lighting

C.W. Cole & Company, Inc.
2560 Rosemead Boulevard
South El Monte, CA 91733-1593

Tel. (626) 443-2473

Fax (626) 443-9253

info@colelighting.com

www.colelighting.com