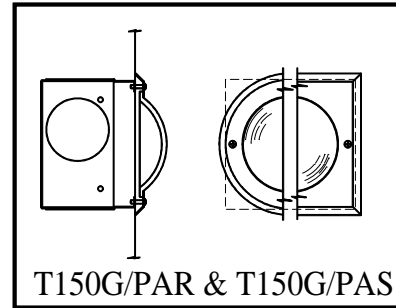
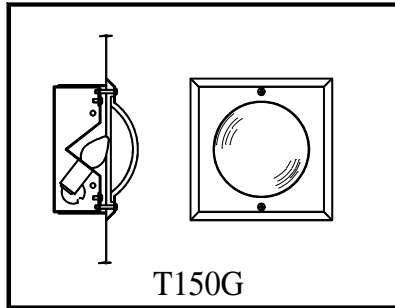


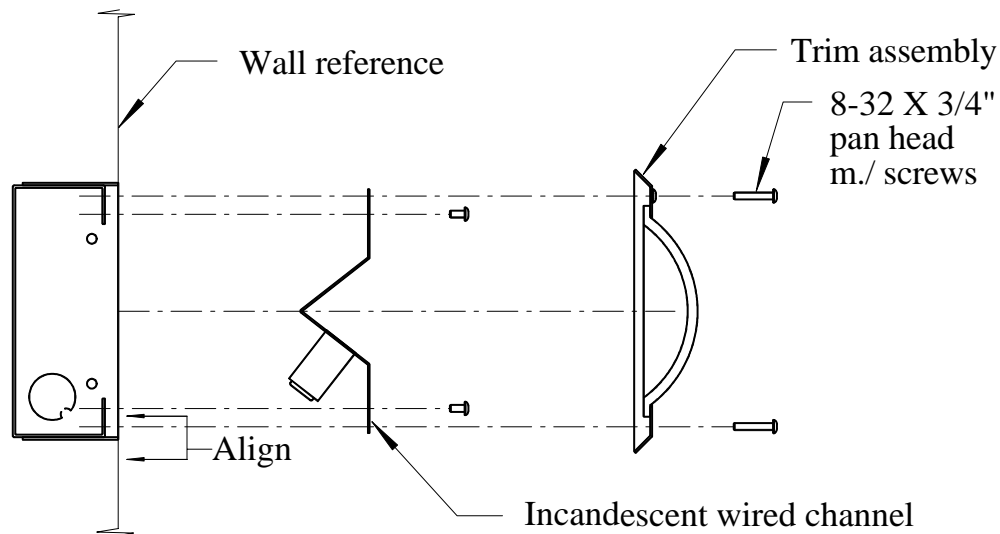
# Installation Instruction Sheet

## T150G, T150G/PAS & T150G/PAR SERIES



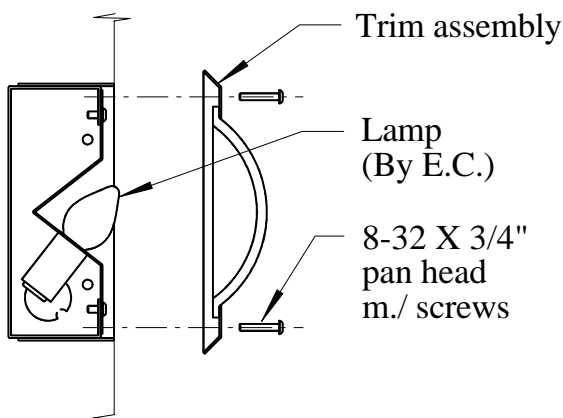
### STEP 1

Remove wired channel. Bring supply wire through desired entrance. Using mounting holes of housing, install 18 ga. steel housing (suitable for concrete pour) into wall ensuring that front of housing aligns with finished wall surface. Alignment of the two ensures proper weather seal.



### STEP 2

Ensure that power to unit is off. Splice supply wires with lead wires of wired channel. Replace wire channel and fasten in place, insert lamp into socket & mount finished trim to housing using factory supplied stainless steel 8-32 x 3/4" pan head m./ screw.



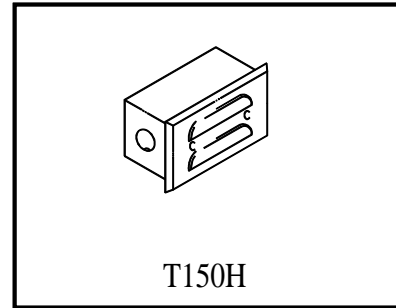
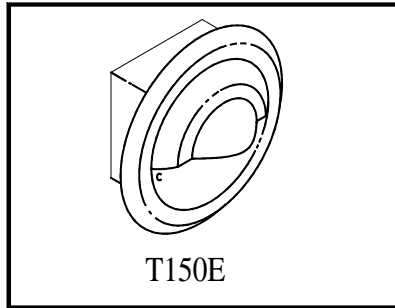
### NOTE:

"THIS PRODUCT MUST BE INSTALLED IN ACCORDANCE WITH THE APPLICABLE INSTALLATION CODE BY A PERSON FAMILIAR WITH THE CONSTRUCTION AND OPERATION OF THE PRODUCT AND THE HAZARDS INVOLVED".

**COLE**  
Lighting

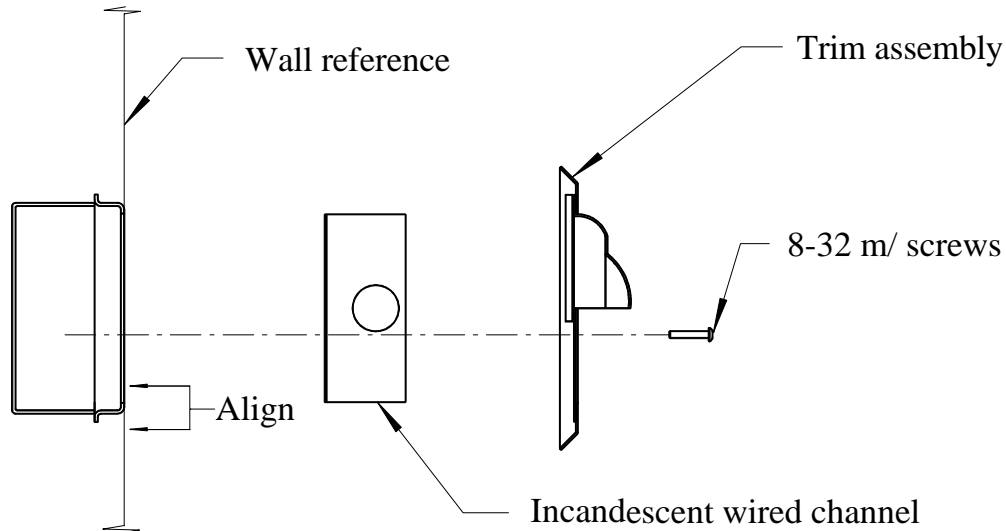
# Installation Instruction Sheet

T150E & T150H



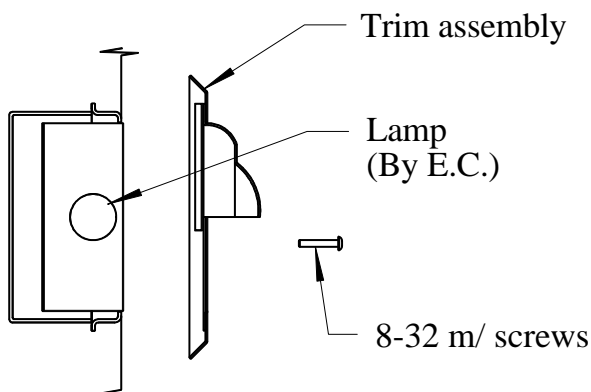
## STEP 1

Remove wired channel. Bring supply wire through desired entrance. Using mounting holes of housing, install standard electrical junction box as housing (suitable for concrete pour) into wall ensuring that front of housing aligns with finished wall surface. Alignment of the two ensures proper weather seal.



## STEP 2

Ensure that power to unit is off. Splice supply wires with lead wires of wired channel. Replace wire channel and fasten in place, insert lamp into socket & mount finished trim to housing using factory supplied stainless steel 8-32 x 3/4" pan head m./ screw.



### NOTE:

"THIS PRODUCT MUST BE INSTALLED IN ACCORDANCE WITH THE APPLICABLE INSTALLATION CODE BY A PERSON FAMILIAR WITH THE CONSTRUCTION AND OPERATION OF THE PRODUCT AND THE HAZARDS INVOLVED".

**COLE**  
Lighting