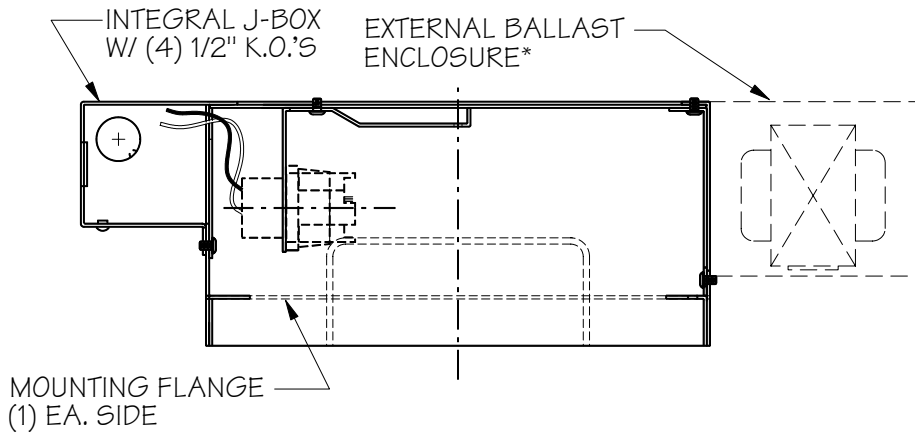


# INSTALLATION INSTRUCTION SHEET

## MODEL 2408/2412/2508/2512/2608/2612 CONCRETE MOUNT

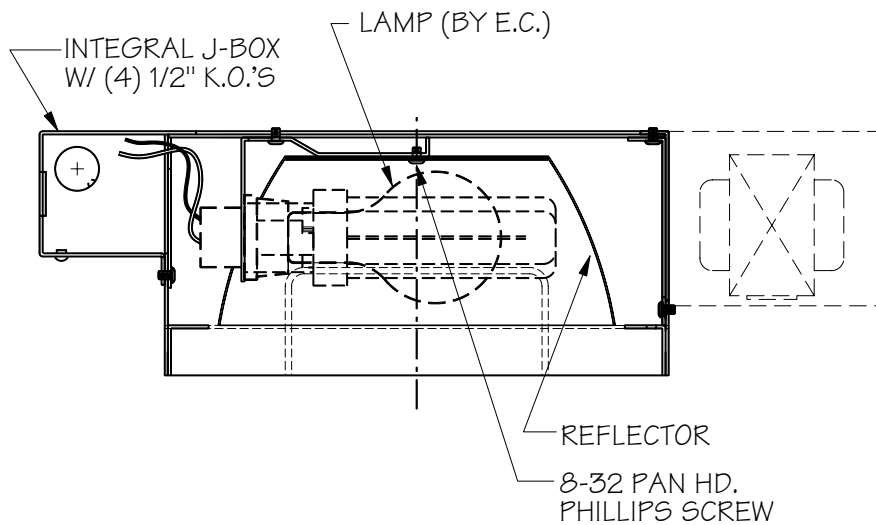
### STEP 1

ATTACH HOUSING TO CONCRETE FORMS, USING MTG. FLANGES LOCATED ON BOTH SIDES OF FIXTURE. (BE SURE THAT BOTTOM OF HOUSING WILL BE FLUSH W/ Poured CONCRETE)  
 PUNCH OUT DESIRED K.O. IN JUNCTION BOX AND FEED WIRES.  
 REMOVE J-BOX COVER TO ACCESS WIRES.



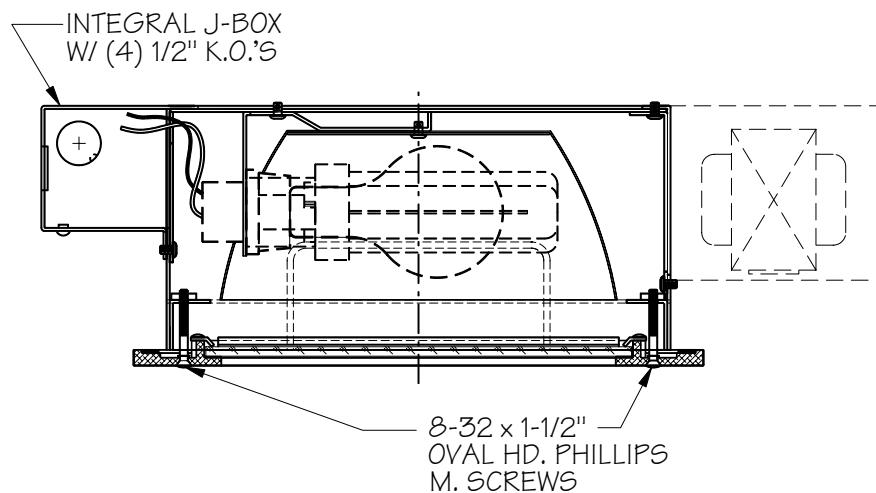
### STEP 2

ATTACH REFLECTOR USING 8-32 PAN HD. PHILLIPS SCREW (INCLUDED) AND INSTALL LAMP. (BY E.C.)



### STEP 3

ATTACH WIRE HINGE TO HOUSING AND TRIM. ATTACH TRIM ASSEMBLY USING CAPTIVE SCREWS.



**NOTE:**

"THIS PRODUCT MUST BE INSTALLED IN ACCORDANCE WITH THE APPLICABLE INSTALLATION CODE BY A PERSON FAMILIAR WITH THE CONSTRUCTION AND OPERATION OF THE PRODUCT AND THE HAZARDS INVOLVED".

#### REVISIONS

11-20-03

7/04

1-23-13 E.V.

\* BALLAST ENCLOSURE FOR METAL HALIDE ONLY. INCANDESCENT & FLUORESCENT MODELS DO NOT INCLUDE BALLAST ENCLOSURE.

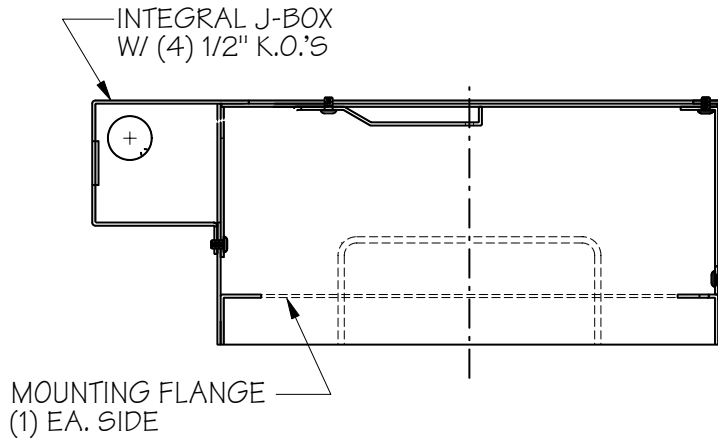
**LED**

**INSTALLATION INSTRUCTION SHEET**  
**MODEL 2408/2412/2508/2512/2608/2612 CONCRETE MOUNT**

**LED**

**STEP 1**

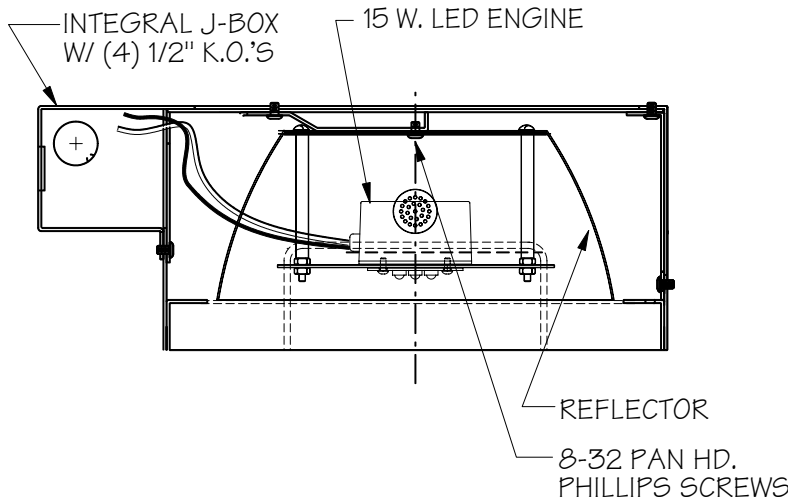
ATTACH HOUSING TO CONCRETE FORMS, USING MTG. FLANGES LOCATED ON BOTH SIDES OF FIXTURE (BE SURE THAT BOTTOM OF HOUSING WILL BE FLUSH W/ Poured CONCRETE)  
PUNCH OUT DESIRED K.O. IN JUNCTION BOX AND FEED WIRES.  
REMOVE J-BOX COVER TO ACCESS WIRES.



**STEP 2**

MAKE WIRE CONNECTIONS FROM LED ENGINE TO ELEC. WIRES IN ATTACHED J-BOX.

ATTACH REFLECTOR USING (2) 8-32 PAN HD. PHILLIPS SCREW (INCLUDED)  
LED ENGINE IS ALREADY ATTACHED TO REFLECTOR.



**STEP 3**

ATTACH WIRE HINGE TO HOUSING AND TRIM.  
ATTACH TRIM ASSEMBLY USING CAPTIVE SCREWS.

**NOTE:**

"THIS PRODUCT MUST BE INSTALLED IN ACCORDANCE WITH THE APPLICABLE INSTALLATION CODE BY A PERSON FAMILIAR WITH THE CONSTRUCTION AND OPERATION OF THE PRODUCT AND THE HAZARDS INVOLVED".

**REVISIONS**

7-7-11 LED ONLY

1-24-13 E.V.

