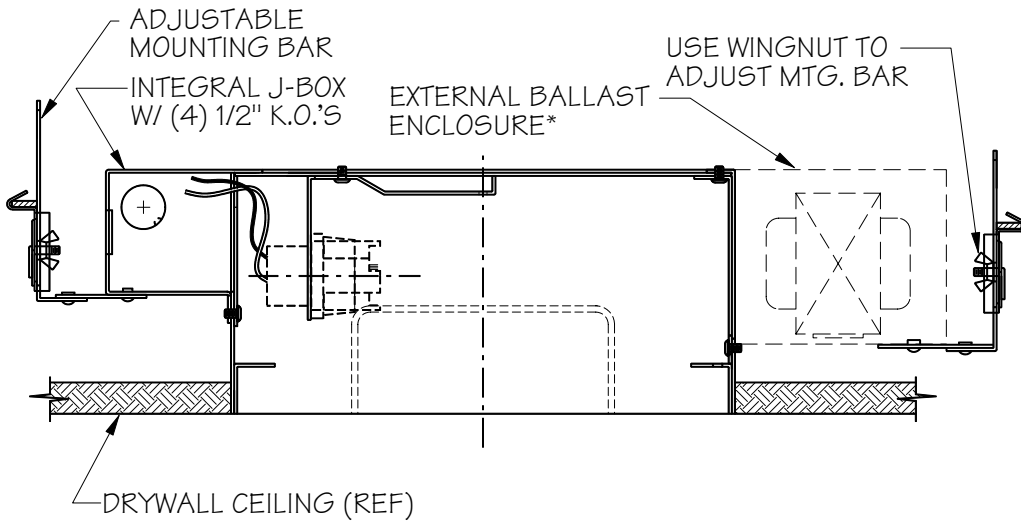


INSTALLATION INSTRUCTION SHEET

MODEL 1408/1412/1508/1512/1608/1612 DRY CEILING

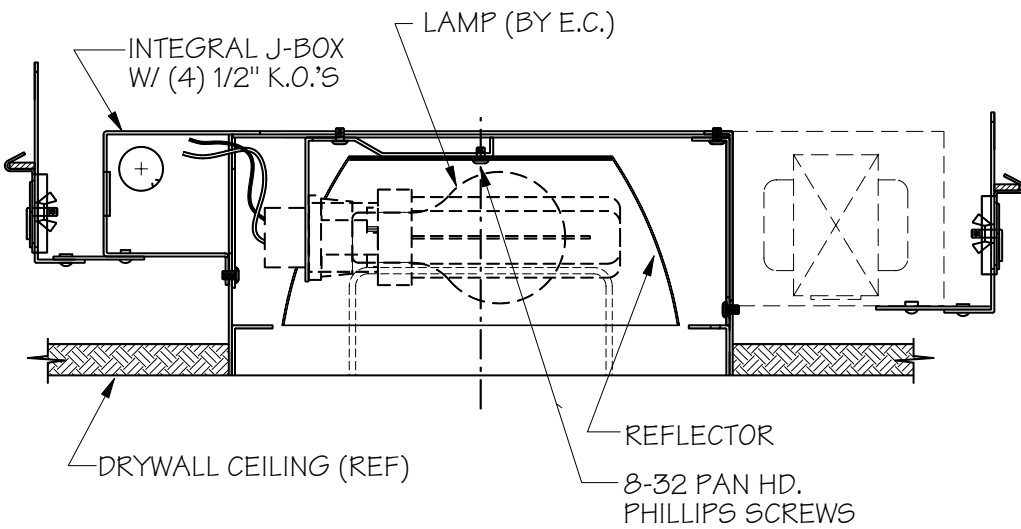
STEP 1

INSTALL HOUSING USING (2) 1/2" x 20" MOUNTING BARS, PROVIDED. ADJUST HOUSING SO THAT THE LOWEST POINT IS FLUSH WITH THE CEILING. PUNCH OUT DESIRED K.O. IN JUNCTION BOX AND FEED WIRES. REMOVE J-BOX COVER TO ACCESS WIRES.



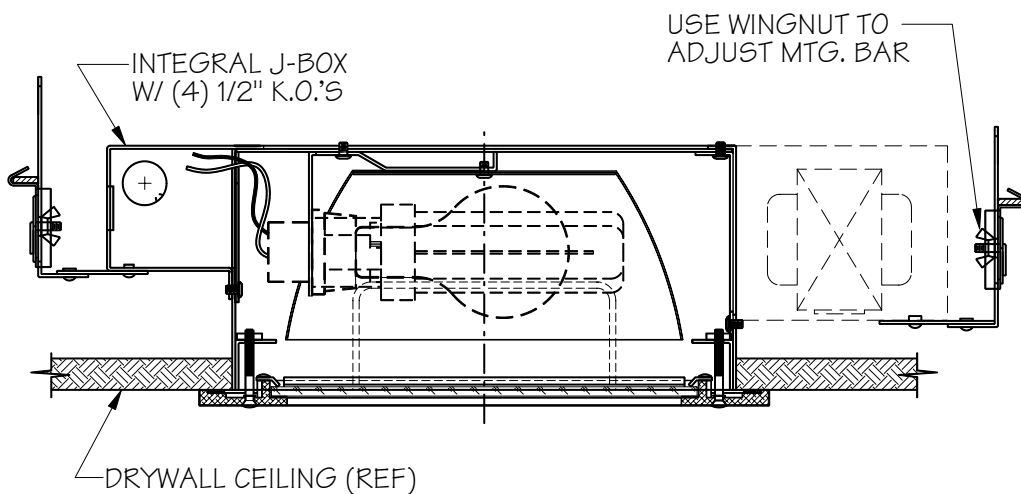
STEP 2

ATTACH REFLECTOR USING 8-32 PAN HD. PHILLIPS SCREW (INCLUDED) AND INSTALL LAMP. (BY E.C.)



STEP 3

ATTACH WIRE HINGE TO HOUSING AND TRIM. ATTACH TRIM ASSEMBLY USING CAPTIVE SCREWS.



NOTE:

"THIS PRODUCT MUST BE INSTALLED IN ACCORDANCE WITH THE APPLICABLE INSTALLATION CODE BY A PERSON FAMILIAR WITH THE CONSTRUCTION AND OPERATION OF THE PRODUCT AND THE HAZARDS INVOLVED".

REVISIONS

11-20-03
7/04
1-23-13 E.V.

* BALLAST ENCLOSURE FOR METAL HALIDE ONLY. INCANDESCENT & FLUORESCENT MODELS DO NOT INCLUDE BALLAST ENCLOSURE.

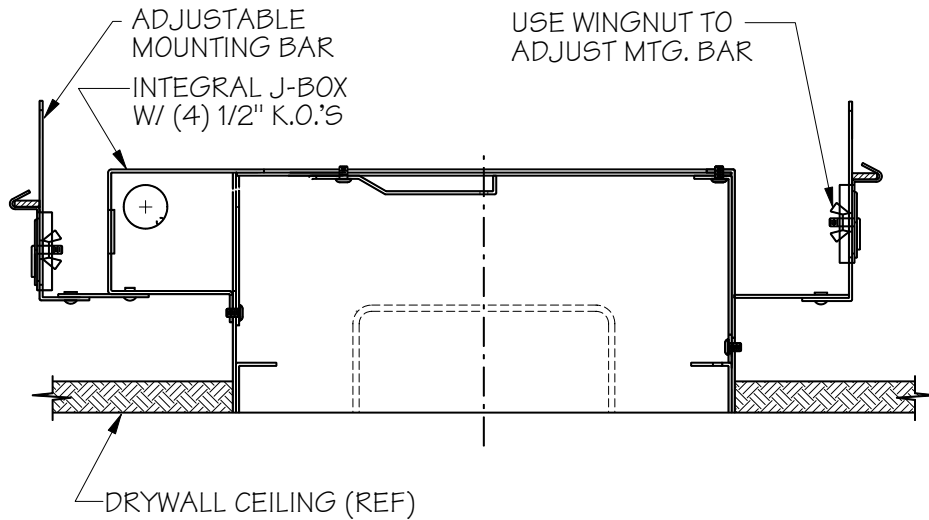
LED

INSTALLATION INSTRUCTION SHEET

MODEL 1408/1412/1508/1512/1608/1612 DRY CEILING

LED

STEP 1



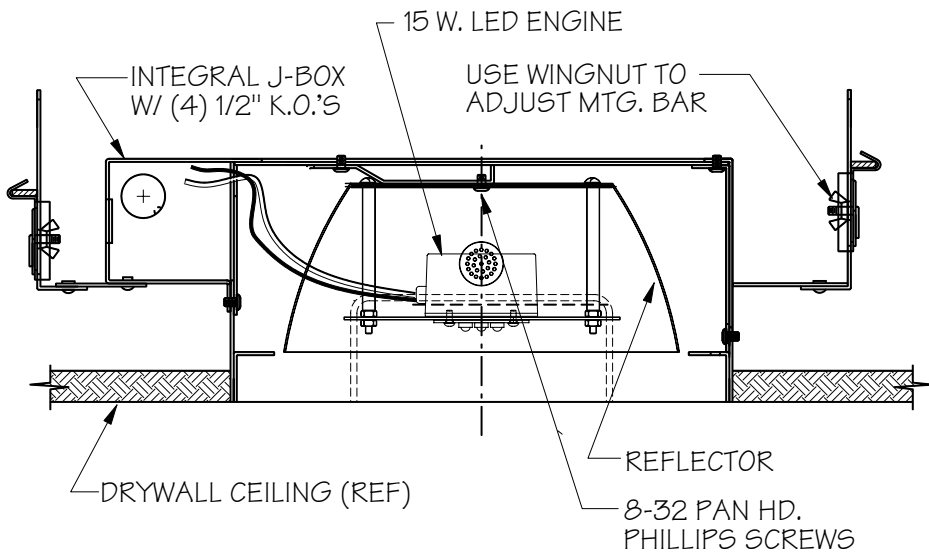
INSTALL HOUSING USING (2) 1/2" x 20" MOUNTING BARS, PROVIDED.

ADJUST HOUSING SO THAT THE LOWEST POINT IS FLUSH WITH THE CEILING.

PUNCH OUT DESIRED K.O. IN JUNCTION BOX AND FEED WIRES.

REMOVE J-BOX COVER TO ACCESS WIRES.

STEP 2

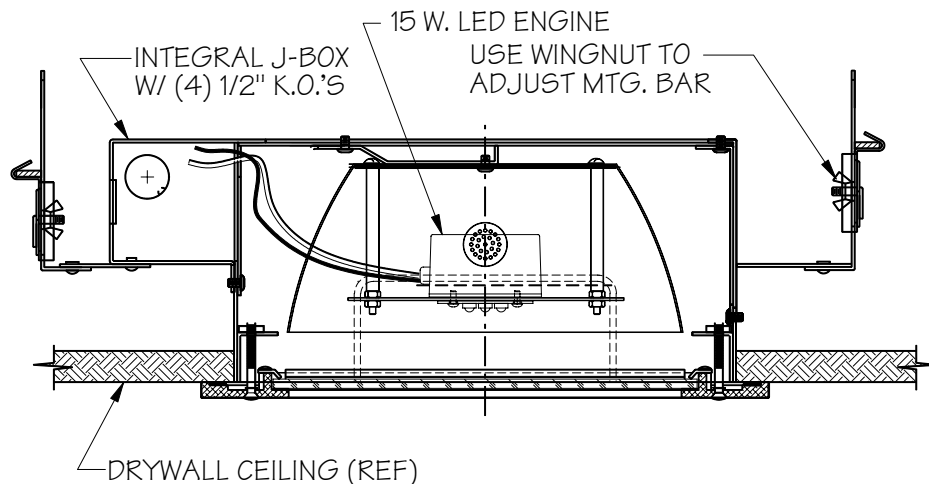


MAKE WIRE CONNECTIONS FROM LED ENGINE TO ELEC. WIRES IN ATTACHED J-BOX

ATTACH REFLECTOR USING (2) 8-32 PAN HD. PHILLIPS SCREW (INCLUDED)

LED ENGINE IS ALREADY ATTACHED TO REFLECTOR.

STEP 3



ATTACH WIRE HINGE TO HOUSING AND TRIM.

ATTACH TRIM ASSEMBLY USING CAPTIVE SCREWS.

NOTE:

"THIS PRODUCT MUST BE INSTALLED IN ACCORDANCE WITH THE APPLICABLE INSTALLATION CODE BY A PERSON FAMILIAR WITH THE CONSTRUCTION AND OPERATION OF THE PRODUCT AND THE HAZARDS INVOLVED".

REVISIONS

7-1-11 LED ONLY

1-24-13 E.V.