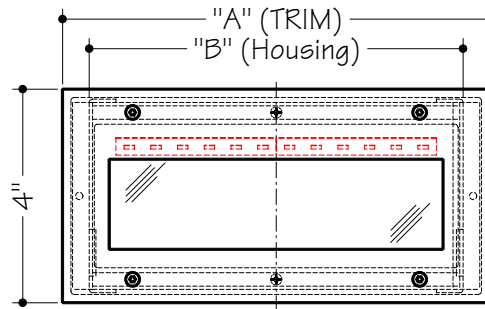


Installation Instruction Sheet

Catalog No.: L600 Series

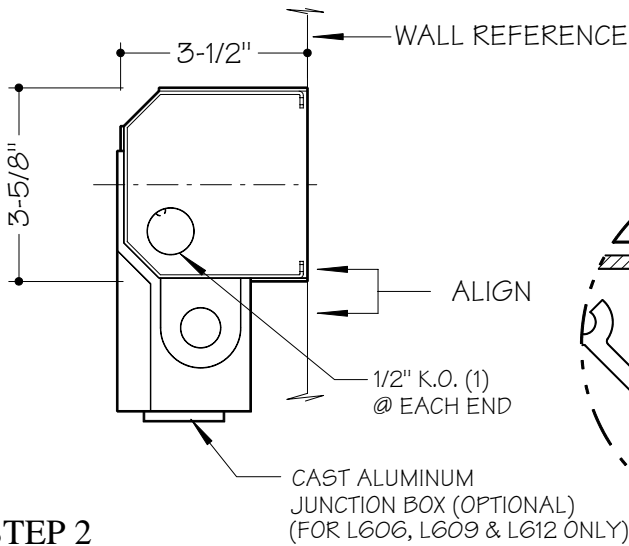


	"A"	"B"
L603	5"	4"
L606	8"	7"
L609	11"	10"
L612	14"	13"

FRONT VIEW

STEP 1

Remove wired channel. Bring supply wire through desired entrance. Using mounting holes of housing flange, install 16 ga. steel housing (suitable for concrete pour) into wall ensuring that front housing aligns with finished wall surface. Alignment of the two ensures proper weather seal.



CONTINUOUS NEOPRENE GASKET MATES WITH FLANGES OF STEPLIGHT HOUSING WHEN INSTALLED PROPERLY. CAULK PERIMETER OF TRIM TO WALL TO PROVIDE PROPER SEAL TO WALL.

STEP 2

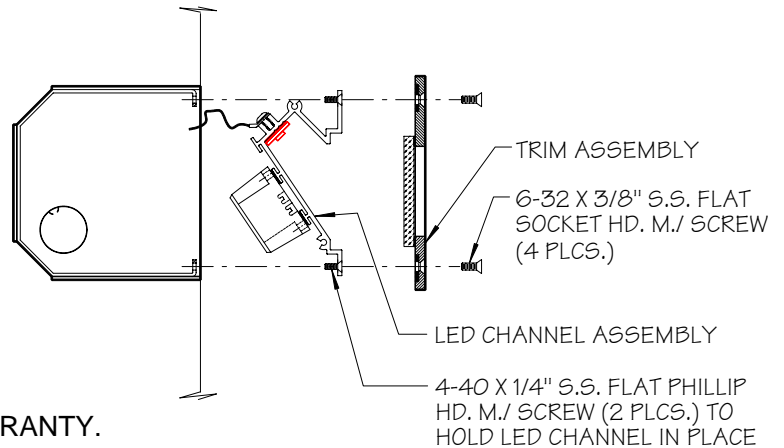
Ensure that power to unit is off. Splice supply wires with lead wires of wired channel. Replace wire channel and fasten in place. Mount finished trim to housing using (4) factory supplied stainless steel 6-32 flat socket head m./screws.

NOTE:

* THIS PRODUCT MUST BE INSTALLED IN ACCORDANCE WITH THE APPLICABLE INSTALLATION CODE BY A PERSON FAMILIAR WITH THE CONSTRUCTION AND OPERATION OF THE PRODUCT AND THE HAZARDS INVOLVED.

* CONTACT WITH ACID-WASH OF ANY TYPE TO ANY SURFACE OF STEPLIGHT WILL/MAY VOID WARRANTY.

* RECESSED HOUSING NOT SEALED FROM MOISTURE. PROTECTION MUST BE PROVIDED TO PREVENT WATER FROM ENTERING HOUSING.



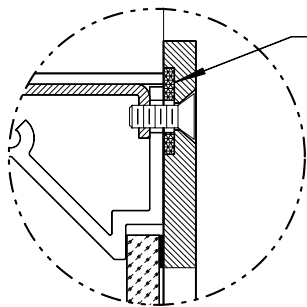
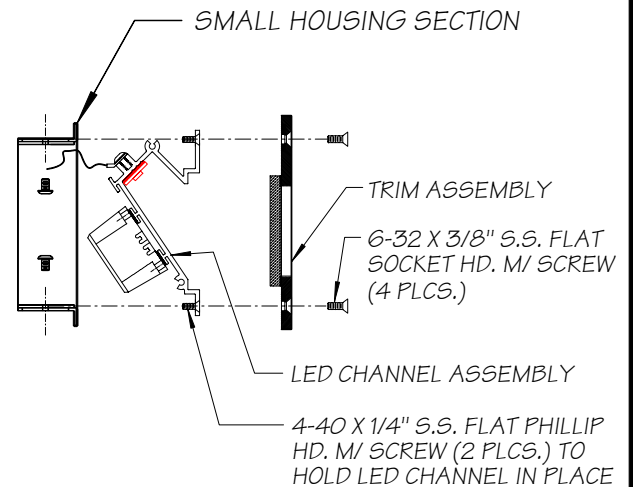
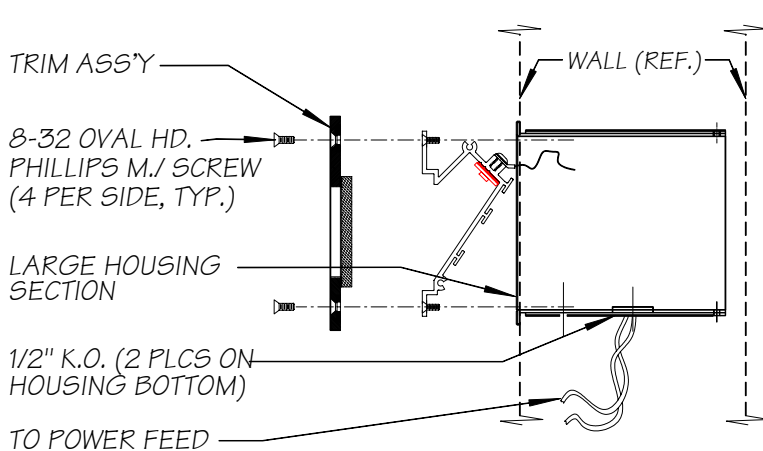
COLE
Lighting

Installation Instruction Sheet

L603-2S (Through Wall)

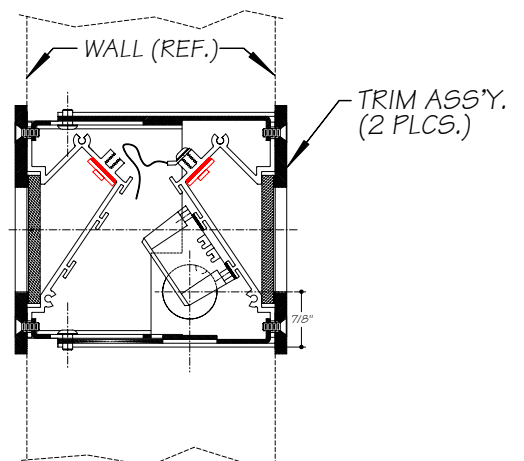
Installation Instructions:

1. Ensure that electrical power to unit is off.
2. Slip large housing into wall & make wire splice connections to power feed.
3. Attach smaller housing half (adjustable up to 1-1/4" for different wall thicknesses) using supplied 8-32 m/screws
4. Attach LED channel assembly using 4-40 m/screws supplied (2 per side; 4 total)
5. Attach trims on ea. side of wall using 8-32 m./ screws supplied (4 per side; 8 total).



CONTINUOUS NEOPRENE GASKET MATES WITH FLANGES OF STEPLIGHT HOUSING WHEN INSTALLED PROPERLY. CAULK PERIMETER OF TRIM TO WALL TO PROVIDE PROPER SEAL TO WALL.

COMPLETED INSTALLATION



NOTE:

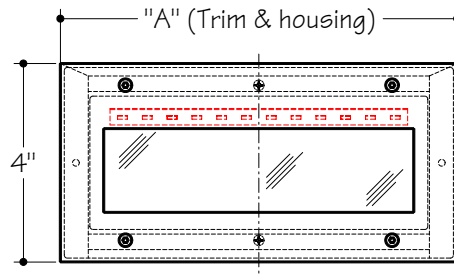
- * THIS PRODUCT MUST BE INSTALLED IN ACCORDANCE WITH THE APPLICABLE INSTALLATION CODE BY A PERSON FAMILIAR WITH THE CONSTRUCTION AND OPERATION OF THE PRODUCT AND THE HAZARDS INVOLVED.
- * CONTACT WITH ACID-WASH OF ANY TYPE TO ANY SURFACE OF STEPLIGHT WILL/MAY VOID WARRANTY.
- * RECESSED HOUSING NOT SEALED FROM MOISTURE. PROTECTION MUST BE PROVIDED TO PREVENT WATER FROM ENTERING HOUSING.

REVISIONS

COLE
Lighting

Installation Instruction Sheet

Catalog No.: SL600 Series - Surface mount



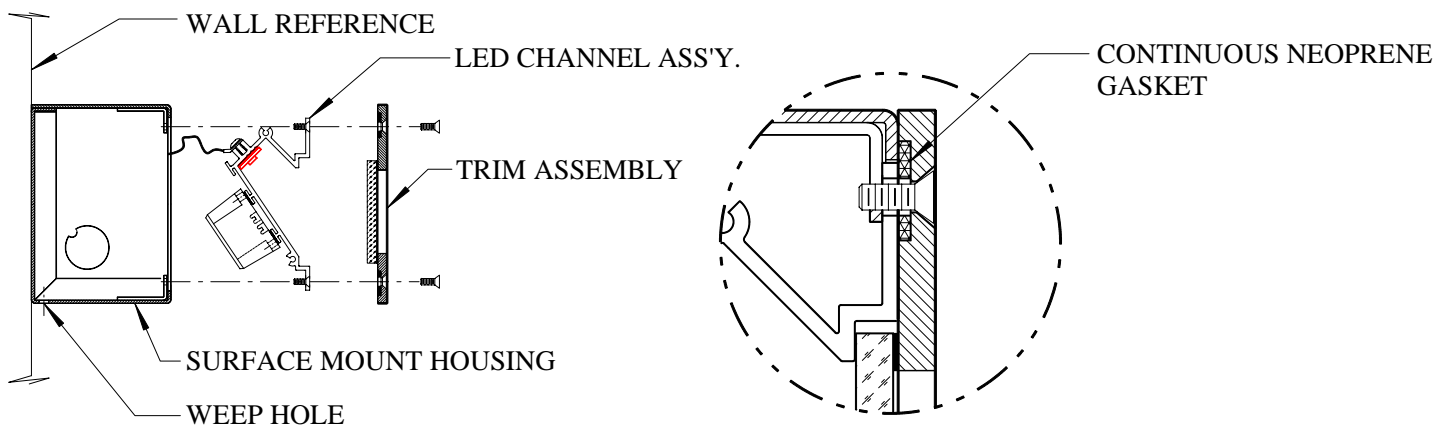
	"A"
SL603	5"
SL606	8"
SL609	11"
SL612	14"

FRONT VIEW

STEP 1

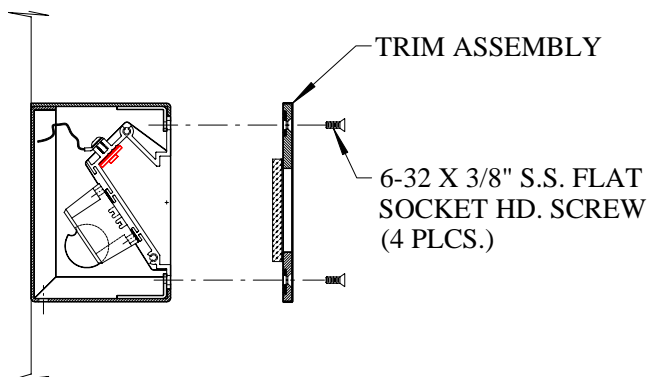
Remove lamp channel. Bring supply wire through desired conduit entrance*. Drill a minimum of (2) mounting holes in top, back, or sides as required for mounting condition. Install surface housing onto wall with weep holes located at bottom of housing.

Caulk perimeter of housing to ensure proper seal to mounting surface in wet and damp locations. *Additional conduit entries may be field added behind LED channel area.



STEP 2

Ensure that power to unit is off. Splice supply wires to lead wires from LED channel. Replace LED channel and fasten in place. Mount finished trim to housing using (4) factory supplied stainless steel screws, ensuring gasket is in place for proper seal.



NOTE:

THIS PRODUCT MUST BE INSTALLED IN ACCORDANCE WITH THE APPLICABLE INSTALLATION CODE BY A PERSON FAMILIAR WITH THE CONSTRUCTION AND OPERATION OF THE PRODUCT AND THE HAZARDS INVOLVED.

CONTACT WITH ACID-WASH OF ANY TYPE TO ANY SURFACE OF STEPLIGHT WILL/MAY VOID WARRANTY.

SURFACE HOUSING NOT SUBMERSIBLE PROTECTION MUST BE PROVIDED TO PREVENT WATER FROM ENTERING HOUSING AND CONDUIT ENTRIES.