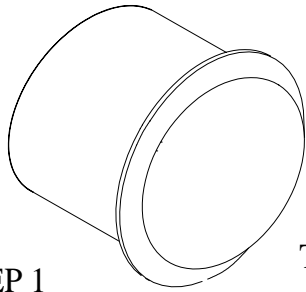
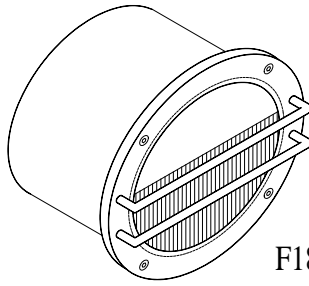


Installation Instruction Sheet

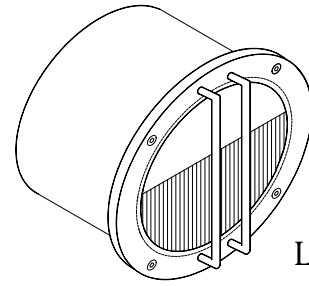
180 SERIES



T184



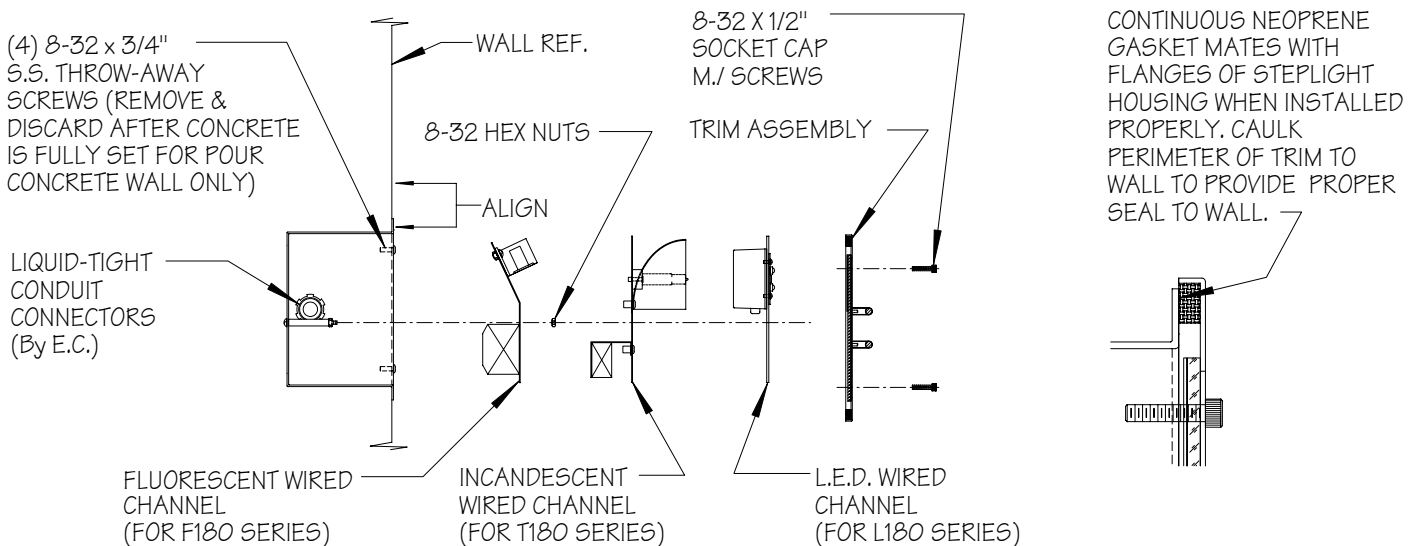
F181H



L181V

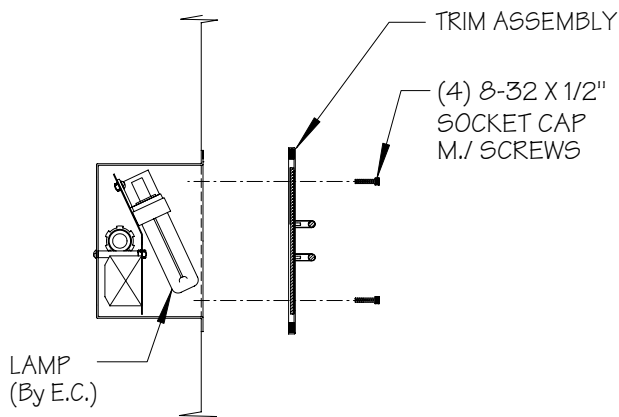
STEP 1

Remove wired channel. Bring supply wire through desired entrance. Using mounting holes of housing flange, install 18 ga. steel housing (suitable for concrete pour) into wall ensuring that front of housing aligns with finished wall surface. Alignment of the two ensures proper weather seal.



STEP 2

Ensure that power to unit is off. Splice supply wires with lead wires of wired channel. Replace wire channel and fasten in place, insert lamp into socket & mount finished trim to housing using (4) factory supplied stainless steel 8-32 x 1/2" socket cap m./ screws.



- NOTE:
- * THIS PRODUCT MUST BE INSTALLED IN ACCORDANCE WITH THE APPLICABLE INSTALLATION CODE BY A PERSON FAMILIAR WITH THE CONSTRUCTION AND OPERATION OF THE PRODUCT AND THE HAZARDS INVOLVED.
 - * CONTACT WITH ACID-WASH OF ANY TYPE TO ANY SURFACE OF STEPLIGHT WILL/MAY VOID WARRANTY.
 - * RECESSED HOUSING NOT SEALED FROM MOISTURE. PROTECTION MUST BE PROVIDED TO PREVENT WATER FROM ENTERING HOUSING.

REVISIONS

3/9/07

9/8/10 -C.O.

1-21-13-E.V.

COLE
Lighting