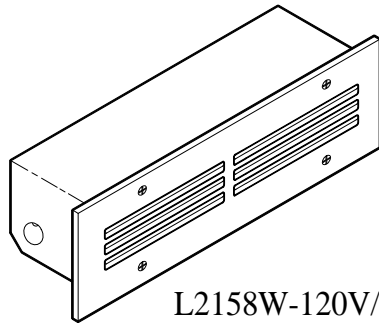
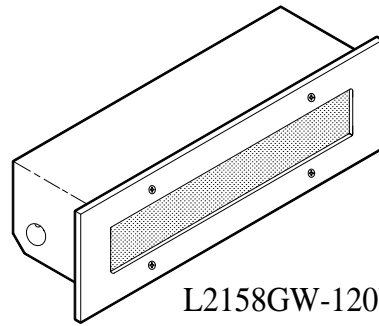


Installation Instruction Sheet

L2158W-120V/ 277V SERIES



L2158W-120V/ 277V



L2158GW-120V/ 277V

STEP 1

Remove wired channel. Bring supply wire through desired entrance. Using mounting holes of housing flange, install 16 ga. steel housing (suitable for concrete pour) into wall ensuring that front of housing aligns with finished wall surface. Alignment of the two ensures proper weather seal.

STEP 2

Peel off the release liner from two-way tape and then Insert L.E.D. Driver into housing (See Fig. 1). Press L.E.D. Driver to the housing back (See Fig.2).

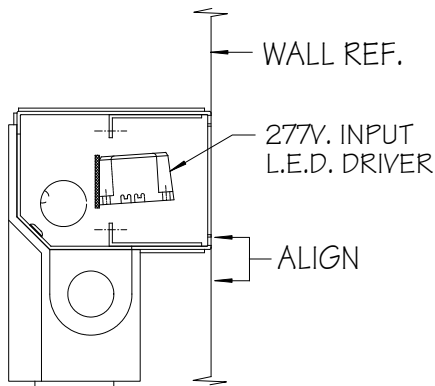


FIG. 1

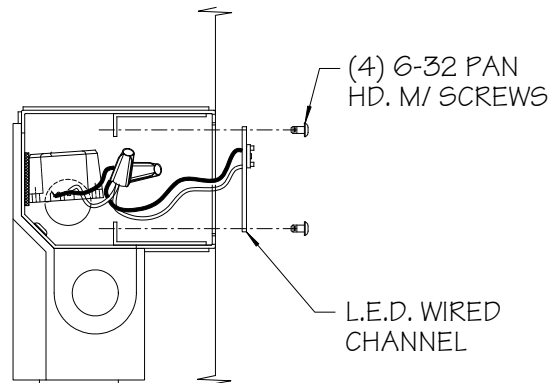


FIG. 2

STEP 2

Ensure that power to unit is off. Splice supply wires with lead wires of L.E.D. Driver. Replace wire channel and fasten in place (See Fig. 3). Mount finished trim to housing using factory supplied 8-32 stainless steel flat phillip head m./ screws (See Fig. 4).

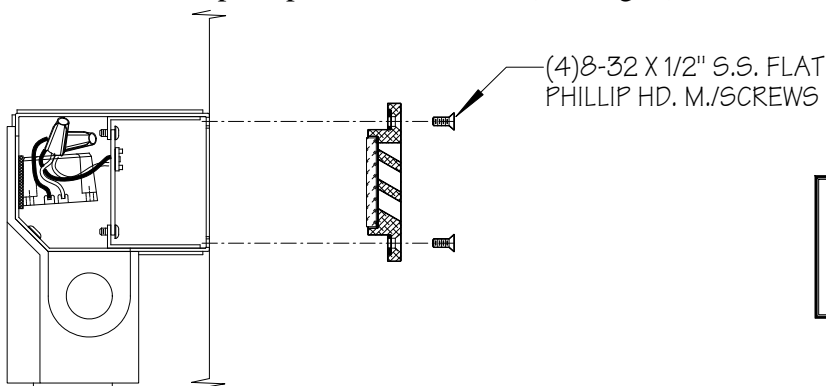


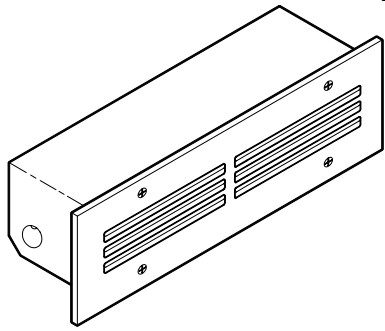
FIG. 4

NOTE:

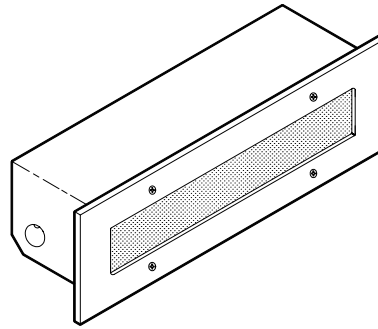
"THIS PRODUCT MUST BE INSTALLED IN ACCORDANCE WITH THE APPLICABLE INSTALLATION CODE BY A PERSON FAMILIAR WITH THE CONSTRUCTION AND OPERATION OF THE PRODUCT AND THE HAZARDS INVOLVED".

Installation Instruction Sheet

2158 SERIES



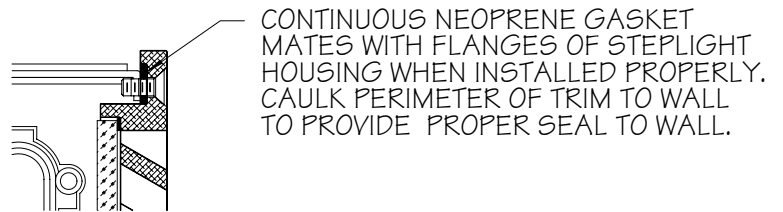
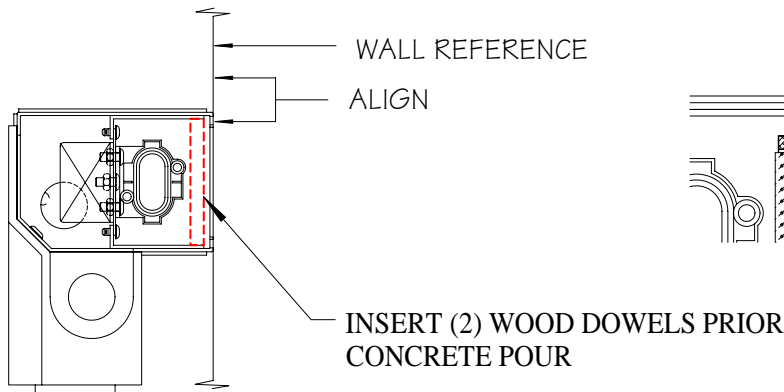
F2158



F2158G

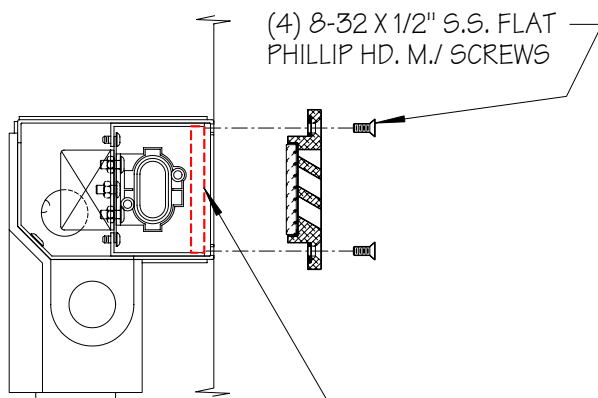
STEP 1

Remove wired channel. Bring supply wire through desired entrance. Using mounting holes of housing flange, install 16 ga. steel housing (suitable for concrete pour) into wall ensuring that front of housing aligns with finished wall surface. Alignment of the two ensures proper weather seal.



STEP 2

Ensure that power to unit is off. Splice supply wires with lead wires of wired channel. Replace wire channel and fasten in place. Mount finished trim to housing using (4) factory supplied 8-32 stainless steel flat phillips head m./ screws.



REMOVE (2) WOOD DOWELS AFTER CONCRETE POUR

NOTE:

- * THIS PRODUCT MUST BE INSTALLED IN ACCORDANCE WITH THE APPLICABLE INSTALLATION CODE BY A PERSON FAMILIAR WITH THE CONSTRUCTION AND OPERATION OF THE PRODUCT AND THE HAZARDS INVOLVED.
- * CONTACT WITH ACID-WASH OF ANY TYPE TO ANY SURFACE OF STEPLIGHT WILL/MAY VOID WARRANTY.
- * RECESSED HOUSING NOT SEALED FROM MOISTURE. PROTECTION MUST BE PROVIDED TO PREVENT WATER FROM ENTERING HOUSING.

REVISIONS

9/3/10 -C.O.-
REV. 12-1-10, ADD. WOOD DOWELS, BY T.P.
1-23-13 E.V.