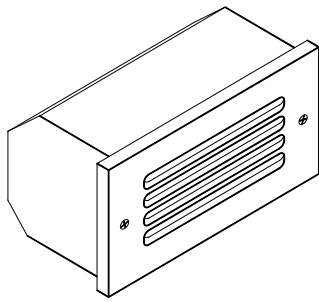
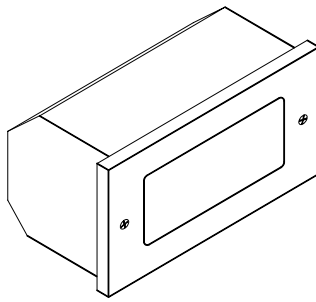


# Installation Instruction Sheet

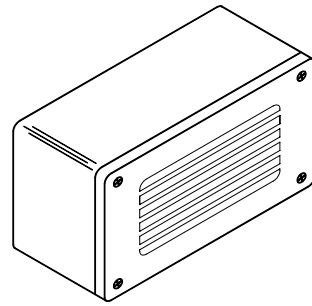
## 157 SERIES



T157



T157G



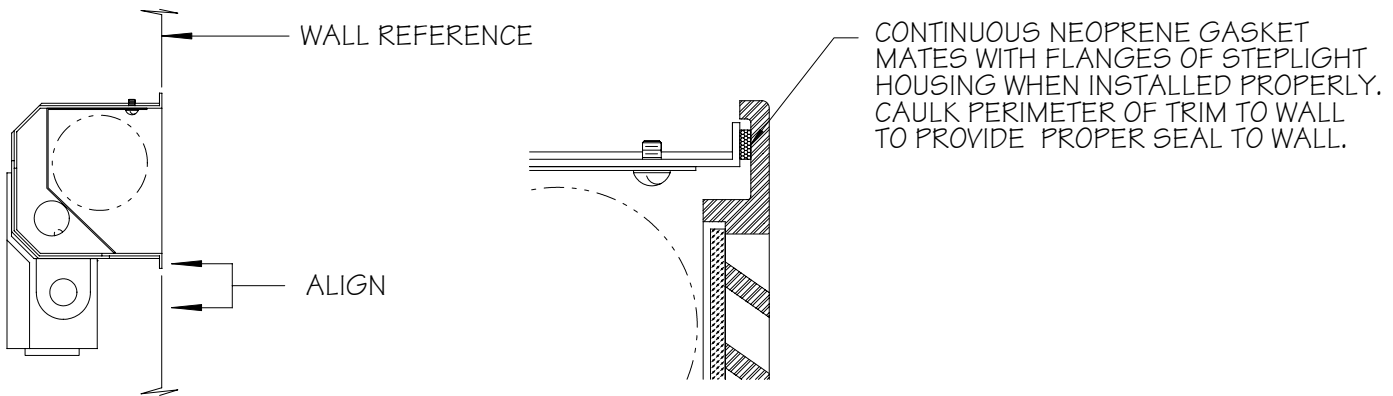
ST157

### STEP 1 (Recess Mount)

Remove wired channel. Bring supply wire through desired entrance. Using mounting holes of housing flange, install 16 ga. steel housing (suitable for concrete pour) into wall ensuring that front housing aligns with finished wall surface. Alignment of the two ensures proper weather seal.

### STEP 1 (Surface Mount)

Remove wired channel. Bring supply wire through desired entrance. Using mounting holes in back of housing, install surface mount housing to wall / mounting surface.



### STEP 2

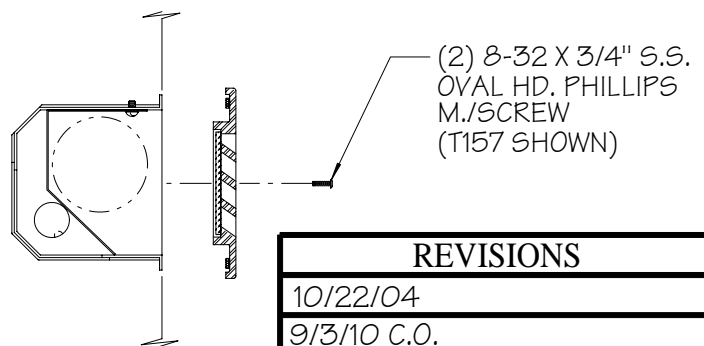
Ensure that power to unit is off. Splice supply wires with lead wires of wired channel. Replace wire channel and fasten in place. Mount finished trim to housing using (2) factory supplied stainless steel 8-32 X 3/4" oval hd. phillips m./screws (8-32 X 5/8" on ST157, 4 req'd).

#### NOTE:

\* THIS PRODUCT MUST BE INSTALLED IN ACCORDANCE WITH THE APPLICABLE INSTALLATION CODE BY A PERSON FAMILIAR WITH THE CONSTRUCTION AND OPERATION OF THE PRODUCT AND THE HAZARDS INVOLVED.

\* CONTACT WITH ACID-WASH OF ANY TYPE TO ANY SURFACE OF STEPLIGHT WILL/MAY VOID WARRANTY

\* RECESSED HOUSING NOT SEALED FROM MOISTURE. PROTECTION MUST BE PROVIDED TO PREVENT WATER FROM ENTERING HOUSING.



#### REVISIONS

10/22/04

9/3/10 C.O.

1/2/13-E.V.

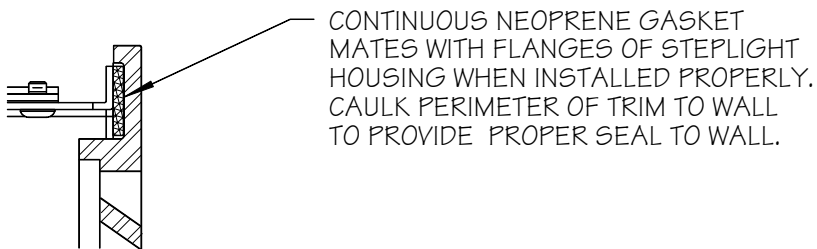
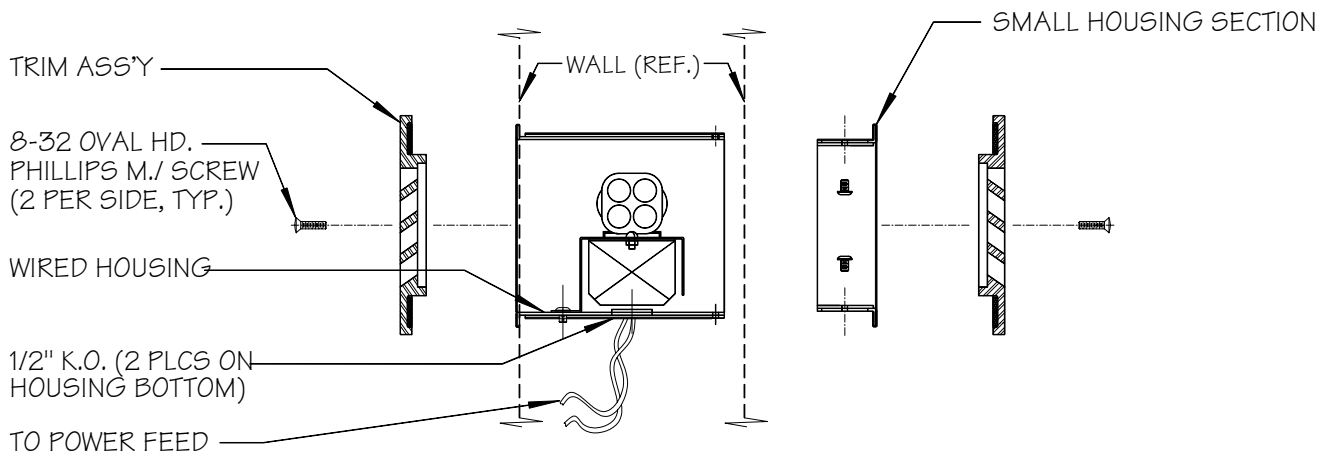
**COLE**  
*Lighting*

# Installation Instruction Sheet

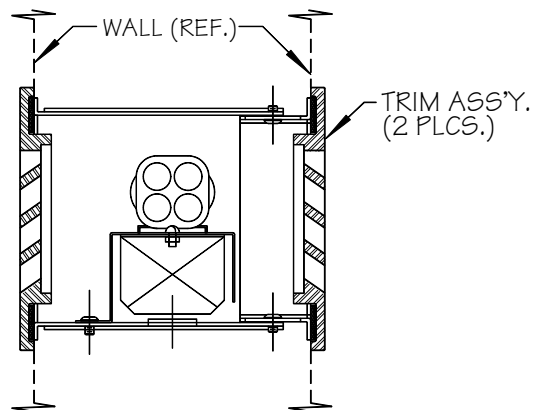
## 157-2S-13-120

### Installation Instructions:

1. Ensure that electrical power to unit is off.
2. Slip wired housing into wall & make wire splice connections to power feed.
3. Attach smaller housing half (adjustable up to 1-1/4" for different wall thicknesses) using supplied phillips hd. screws
4. Attach louvered trims on ea. side of wall using 8-32 oval hd. phillips m./ screws supplied (2 per side, 4 total).



### COMPLETED INSTALLATION



#### NOTE:

- \* THIS PRODUCT MUST BE INSTALLED IN ACCORDANCE WITH THE APPLICABLE INSTALLATION CODE BY A PERSON FAMILIAR WITH THE CONSTRUCTION AND OPERATION OF THE PRODUCT AND THE HAZARDS INVOLVED.
- \* CONTACT WITH ACID-WASH OF ANY TYPE TO ANY SURFACE OF STEPLIGHT WILL/MAY VOID WARRANTY.
- \* RECESSED HOUSING NOT SEALED FROM MOISTURE. PROTECTION MUST BE PROVIDED TO PREVENT WATER FROM ENTERING HOUSING.

#### REVISIONS

10/22/04

9/7/10

1/2/13-E.V.

**COLE**  
*Lighting*