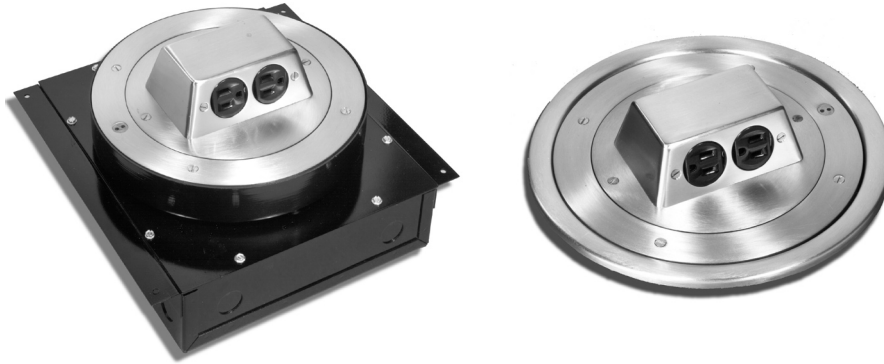
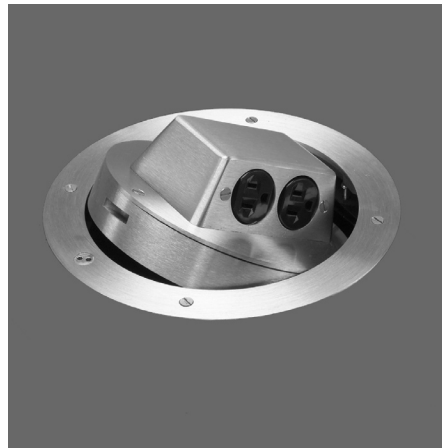


Plugging Boxes

Interior Poured Concrete Applications



A leveling collar allows adjustment to floor surface and Optional Carpet Flange (above right) overlaps carpet.



The TLR Series provides no obstruction for traffic when locked in closed position.

TLR SERIES Convertible Recessed Box

Description

The TLR Series Plugging Boxes are recessed floor mounted enclosures designed for the temporary connection of electrical devices in interior concrete pour installations. The unique design provides a smooth finished appearance when not in service, with no removable parts.

Features

The natural satin brass cover rotates from the smooth out-of-service position to a clean appearing in-service position. The device housing can have a barrier to separate voltages.

Applications

The TLR Series Plugging Boxes are appropriate in schools, gymnasiums, churches, hospitals, civic buildings, offices and other areas with heavy foot traffic for the connection of lighting, sound and service appliance equipment.

Custom

If your project demands a special fixture we would be pleased to discuss the production of custom fixtures to suit your specific conditions. For more information on our custom capabilities, please contact your local Cole representative.



C. W. Cole & Company, Inc.
2560 N. Rosemead Boulevard
South El Monte, CA 91733-1593

Fax (626) 443-9253
Tel. (626) 443-2473
info@colelighting.com
www.colelighting.com

Plugging Boxes

TLR SERIES Convertible Floor Box

Specifications

Construction

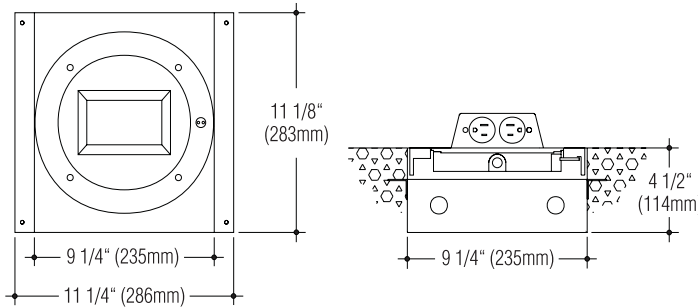
- Exposed parts are all cast red brass • Housing is 16 gauge steel • Carpet flange is heavy spun brass • Standard finish on exposed parts is clear coated satin brass • Finish on housing is black polyester powder • Latch for rotating plate requires common switch key

Electrical

- Various wiring devices or combinations are available as indicated with catalog suffixes
- Devices are factory-installed • Device housing has barrier to separate different voltages
- Housing has two separate wireways with four 1/2" trade-size conduit entrance in each and separate feed wireways to device housing

Mounting

- Housing is suitable for installation in poured concrete • Spun throw-away pan provides proper opening for leveling ring • Box designed for grout after leveling to finished floor
- Carpet flange substitutes for adjustment ring on standard floor box • Edge of flange overlaps onto carpet and bites into pile



Mounting area for devices: Sides 1 1/2" x 3 1/2"; Top 2" x 3 1/2"

Catalog Numbers

Single U-ground power outlet. 15 amp, 125 volt	TLR-1 	TLR-21
Duplex U-ground power outlet. 15 amp, 125 volt	TLR-1D 	TLR-21D
Single 3-wire twist-lock power outlet on one side. 15 amp, 125 volt		TLR-2
Single 3-pole microphone outlet and single 4-pole speaker outlet on same side. Low voltage		TLR-3
Single or duplex U-ground power outlet on one side, microphone / speaker combination on other side. 15 amp, 125 volt. Low voltage	TLR-4 	TLR-4D
Single 3-wire twist-lock power outlet on one side, microphone / speaker combination on other side. 15 amp, 125 volt. Low voltage		TLR-5
Additional combinations of above or other standard wiring devices as required. Maximum: Two 15 amp, 125 volt or two low-voltage devices per side. Specify complete requirements		TLR-9

Options

Cast Iron Housing: Add suffix **-FE**.

Carpet Flange: Add suffix **-CF**.

Nickel plating: Matches stainless steel appearance. Add suffix **-NP**.

How to Specify

1. Select catalog number with desired features.
2. Add suffixes for options required to meet job conditions.



C. W. Cole & Company, Inc.
2560 N. Rosemead Boulevard
South El Monte, CA 91733-1593

Fax (626) 443-9253
Tel. (626) 443-2473
info@colelighting.com
www.colelighting.com