

## Steplites

Series	LED	Fluor.	Incan.	Dimming	Exterior	Interior	Feed-Thru	Other Options
157	●	●	●	●	●	LED & Fluor. only	●	Bronze faceplate LED colors Sharp cutoff louver Junction box Faceplate colors

## 157 SERIES

### Description

This compact Steplite with its LED, fluorescent, and incandescent lamp options is our most popular series. It is appropriate for a variety of interior or exterior applications. The rugged construction, engineering excellence, and quality make these fixtures ideal for specification in most public areas.

### Features

Louvers in the 157 Series are more widely spaced than most fixtures of this type, allowing for significantly greater forward projected illumination. Exceptional durability is provided by the thick cast aluminum faceplate and the tempered glass diffuser. Louvered models offer even greater protection to the diffuser while controlling the distribution of light. Cole Steplites feature an optional cast aluminum junction box which may be easily field mounted to either the back or bottom of the housing to best suit installation conditions.

### Applications

The 157 Series Steplites are suitable for concrete pour/block wall and stud wall mounting in indoor or outdoor installations. They are ideal in low walls and side mounting at stairs. LED and incandescent fixtures will work well in extremely cold climates. The LED and fluorescent lamp options may be specified for interior combustible conditions.

### Custom

If your project demands a special fixture we would be pleased to discuss the production of modified standard fixtures or custom fixtures to suit your specific conditions. For more information on our custom capabilities, please contact your local Cole representative.



L157W-J



L157GW-J



SL157W



L157W-2S-SCL-BLK — Thru-wall

Surface housing features tapped conduit entries.



157 Series Steplites are available with wide louvers, sharp cutoff louvers and non-louvered faceplates.



The junction box on Cole Steplites may be field mounted to the back or bottom of the fixture.

**COLE**  
*Lighting*

C.W. Cole & Company, Inc.  
2560 N. Rosemead Boulevard  
South El Monte, CA 91733-1593

Tel. (626) 443-2473  
Fax (626) 443-9253  
info@colelighting.com  
[www.colelighting.com](http://www.colelighting.com)

## Steplites

### 157 SERIES

#### SPECIFICATIONS

##### Construction

• Recessed housing is constructed from die-formed 16 gauge electro-galvanized steel, finished with a white polyester coating • Surface housing is cast aluminum with metallic aluminum polyester coating • Faceplate is cast aluminum with metallic aluminum polyester coating, gasketed and retained by stainless steel screws • Diffuser is frosted tempered glass, set in silicone sealant • Reflector is constructed of die-formed white aluminum • Optional junction box is cast aluminum with polyester coating • Incandescent models cETLus listed, suitable for concrete pour/block wall construction only; LED and fluorescent models suitable for any wall construction • All models suitable for wet locations.

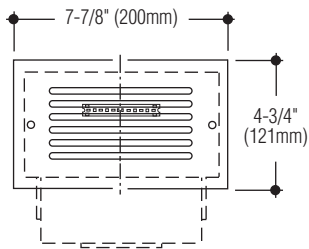
##### Electrical

• Fixture is wired with high performance LEDs, one 40W A19 incandescent or one compact fluorescent lamp • Integral driver is standard universal voltage • Ballast is standard 120V (277V optional) electronic • Standard recessed and surface housing allows for 4 thru-wiring, 2 in and 2 out • Housing provided with 1/2" conduit knockout on each side suitable for 4 wire thru-wiring, 2 in and 2 out • Optional junction box allows 8 wire thru-wiring, 4 in and 4 out. Provided with two 1/2" tapped conduit entrances in the bottom and one 1/2" tapped conduit entrance in each side.

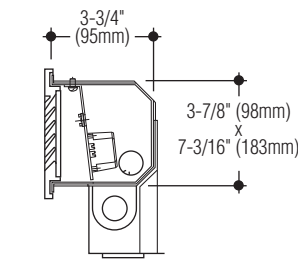
##### Mounting

Housing has flange with holes for mounting.

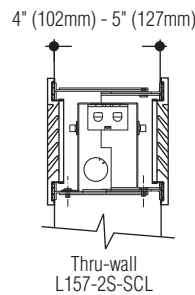
#### Sharp cutoff louver



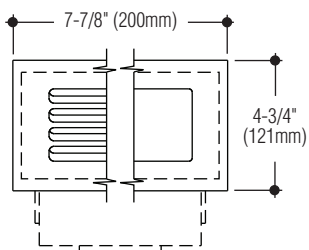
#### LED



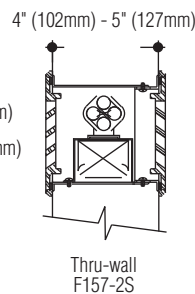
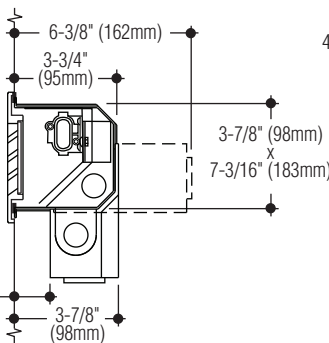
#### Double-sided



#### Louver or non-louver



#### Fluorescent



Surface fixture: 7-7/8"W x 4-3/4"H x 3-7/8"D

Catalog Numbers	Recessed Fixtures		Thru-Wall		Surface Fixtures	
	Faceplate		Faceplates		Faceplate	
Lamp	Louver	Non-Louver	Louver	Non-Louver	Louver	Non-Louver
LED 1.5W, (126 lm @ 3000°K)*	L157W	L157GW	L157W-2S	L157GW-2S	SL157W	SL157GW
LED 3.6W, (215 lm @ 3000°K)*	L157W-HO	L157GW-HO	L157W-2S-HO	L157GW-2S-HO	SL157W-HO	SL157GW-HO
LED 7.2W, (430 lm @ 3000°K)*	L157W-HO-2	L157GW-HO-2	—	—	SL157W-HO-2	SL157GW-HO-2
One 7W, (2G7) compact fluorescent	F157W	F157GW	F157W-2S	F157GW-2S	SF157W	SF157GW
One 13W, (GX24q-1) compact fluorescent	—	—	F157W-2S-13	F157GW-2S-13	—	—
40W, A19 medium base incandescent	T157W	T157GW	T157W-2S	T157GW-2S	ST157W	ST157GW

\*Indicated values for wattage and lumens doubled for thru-wall models.

Photometric data available for Steplites can be downloaded at: [www.colelighting.com/downloads/1](http://www.colelighting.com/downloads/1)

#### Options

**Junction box:** Bottom or back mounted junction box for feed-thru. Add suffix **-J** (Not available with surface or thru-wall models).

**Sharp cutoff louver:** Below horizontal illumination. Add suffix **-SCL**.

**Bronze faceplate:** Satin finish, clear coated. Add suffix **-B**.

**Stainless steel housing:** 16 gauge stainless steel recessed housing. Add suffix **-SS**.

**Alternate faceplate color:** Black, white or custom color. Add suffix **-BLK**, **-WHT** or **-CC**.

**Opal glass diffuser:** Tempered. Add suffix **-OPL**.

**Tamperproof screws:** Socket head faceplate screws. Add suffix **-TP**.

**Voltage:** Fluorescent ballast. Add suffix **-277**. (LED universal voltage standard)

**Dimming:** Universal voltage, 0-10V driver. Add suffix **-DIM**.

**LED colors:** 4000°K (146 lm), -HO (249 lm), -HO-2 (498 lm). Add suffix **-4K**.

Amber (Not available in HO-2). Add suffix **-AMB**.

Blue (Not available in HO-2). Add suffix **-BLU**.

#### How to Specify

1. Select catalog number with desired features.
2. Add suffixes for options required to meet job conditions.

**COLE**  
Lighting

C.W. Cole & Company, Inc.  
2560 N. Rosemead Boulevard  
South El Monte, CA 91733-1593

Tel. (626) 443-2473

Fax (626) 443-9253

info@colelighting.com

[www.colelighting.com](http://www.colelighting.com)