

LED Steplites



L603
4" x 5"



L606
4" x 8"



L609
4" x 11"



L612
4" x 14"

L600 SERIES

This directional Steplite features high performance LEDs. Its unique optical design provides impressive forward-throw while eliminating any visible light above horizontal. The rugged construction, engineering excellence, and quality make this fixture ideal for specification in most public areas.

Choices of powder coated aluminum or brushed stainless steel faceplates provide a sleek and modern appearance. Three LED positions available for a choice of cutoff. Integral driver simplifies specifications and installation. Four sizes are available to meet most needed requirements. Thru-wall models can adjust to varying wall thicknesses.

The 600 Series Steplites are suitable for concrete pour/block wall and stud wall mounting in indoor or outdoor installations. They are ideal in walls, ramps and stairwells where high light levels are desirable.

If your project demands a special fixture, we would be pleased to discuss the production of modified standard fixtures or custom fixtures to suit your specific conditions. For more information on our custom capabilities, please contact your local Cole representative.



L603W-B-2S-NH

Optional: Thru-wall,
Fastener-less, Bronze
Faceplates



L603W-AL-BLU

Available with
blue or amber LEDs



SL603W-N

Surface Fixture.
Also available
in L606, L609
and L612 sizes



L603W-N/PC

A variety of
optional light
activation devices
are available

COLE
Lighting

C.W. Cole & Company, Inc.
2560 N. Rosemead Boulevard
South El Monte, CA 91733-1593

Tel. (626) 443-2473
Fax (626) 443-9253
info@colelighting.com
www.colelighting.com

L600 SERIES

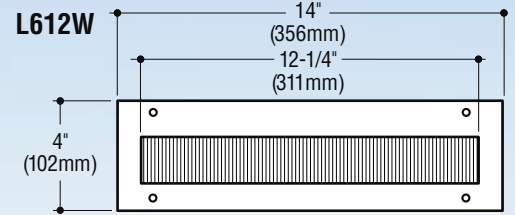
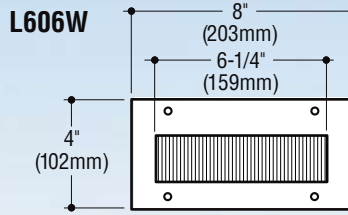
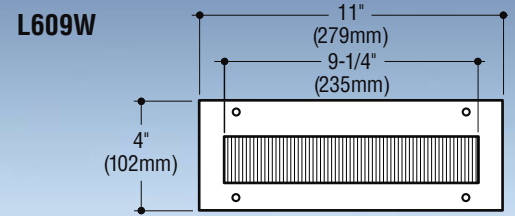
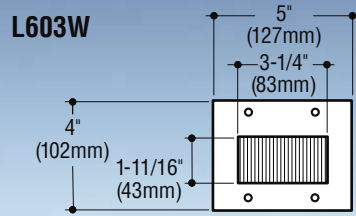
SPECIFICATIONS

Construction

- Recessed housing is constructed from 16 gauge electro-galvanized steel, matte black powder-coated
- Surface housing is constructed from 16 gauge satin finished stainless steel or .063" metallic silver powder-coated aluminum
- Faceplates are 3/16" metallic silver powder-coated aluminum or satin finished stainless steel, passivated for maximum rust resistance
- Fixtures are furnished with stainless steel socket head tamperproof screws
- Diffuser is clear tempered glass, set in silicone sealant
- Internal baffle is coated matte black to eliminate glare
- Optional junction box is cast aluminum with polyester coating
- cETLus listed installation in any wall construction and suitable for wet locations in any wall construction.

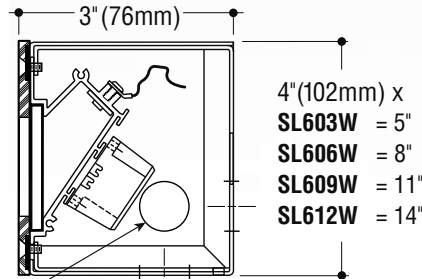
Electrical

- Fixture is wired with high performance LEDs positioned for 5°, 10° or 15° cutoff (5° standard)
- Integral driver is universal voltage
- Recessed housing provided with 1/2" conduit knockout on each side, suitable for 4 wire thru-wiring, 2 in 2 out. Surface housing conduit entries located per specification
- Optional junction box allows 8 wire thru-wiring, 4 in 4 out. Provided with two 1/2" tapped conduit entrances in the bottom and one 1/2" tapped conduit entrance in each side.

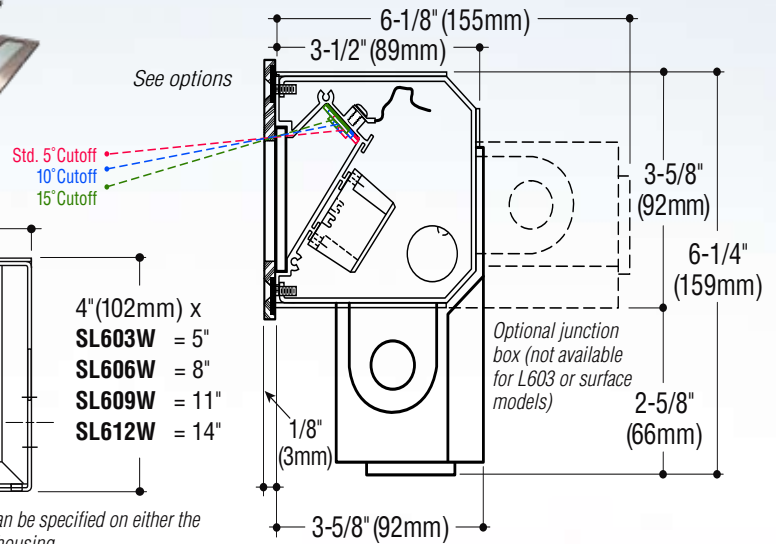


HOUSING WIDTHS for Recessed

L603W = 4" (102mm), L606W = 7" (178mm), L609W = 10" (254mm), L612W = 13" (330mm)



Surface conduit entries can be specified on either the sides, bottom or back of housing.



| Catalog Number Lamp | Recessed Fixture Faceplate | | Surface Fixture Faceplate | |
|-------------------------------|----------------------------|-----------------|---------------------------|-----------------|
| | Aluminum | Stainless Steel | Aluminum | Stainless Steel |
| LED 1.5W, (126 lm @ 3000°K)* | L603W-AL | L603W-N | SL603W-AL | SL603W-N |
| LED 3.2W, (331 lm @ 3000°K)* | L603W-AL-HO | L603W-N-HO | SL603W-AL-HO | SL603W-N-HO |
| LED 3.0W, (252 lm @ 3000°K) | L606W-AL | L606W-N | SL606W-AL | SL606W-N |
| LED 6.4W, (662 lm @ 3000°K) | L606W-AL-HO | L606W-N-HO | SL606W-AL-HO | SL606W-N-HO |
| LED 4.5W, (377 lm @ 3000°K) | L609W-AL | L609W-N | SL609W-AL | SL609W-N |
| LED 9.2 W, (993 lm @ 3000°K) | L609W-AL-HO | L609W-N-HO | SL609W-AL-HO | SL609W-N-HO |
| LED 6.0W, (503 lm @ 3000°K) | L612W-AL | L612W-N | SL612W-AL | SL612W-N |
| LED 12.5W, (1323 lm @ 3000°K) | L612W-AL-HO | L612W-N-HO | SL612W-AL-HO | SL612W-N-HO |

*Indicated values for wattage, doubled for thru-wall models.

Photometric data available for Steplites can be downloaded at: www.colelighting.com/downloads/1

Specify conduit entry locations when ordering.



Options

Junction box: Cast aluminum junction box.

Add suffix **-J** (Not available on L603 model).

Dimming: Universal voltage 0-10V driver. Add suffix **-DIM**. (Not available on L603 model)

Cutoff: 10°: Add suffix **-10°**. 15°: Add suffix **-15°**.

No Hole: Fastenerless (not suitable for wet locations). Add suffix **-NH**

Frosted glass diffuser: Tempered. Add suffix **-FG**

LED colors: 4000°K

(L603, 146 lm), (L603-HO, 384 lm),

(L606, 292 lm), (L606-HO, 768 lm),

(L609, 438 lm), (L609-HO, 1152 lm),

(L612, 584 lm), (L612-HO, 1535 lm). Add suffix **-4K**.

Amber* (FWC compliant, 560nm). Add suffix **-AMB**.

Blue* Add suffix **-BLU**.

*Not available in HO

Bronze faceplate: Satin finished, clear coated.

Add suffix **-B**.

Alternate trim color: Black or White.

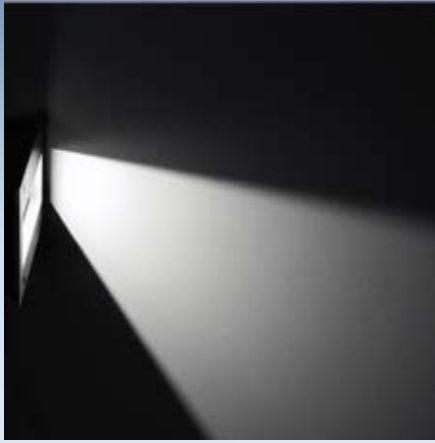
Add suffix **-BLK** or **-WHT**, For Custom color or finish. Add suffix **-CC** (consult factory).

Sensors: Photocell. Add suffix **-PC**.

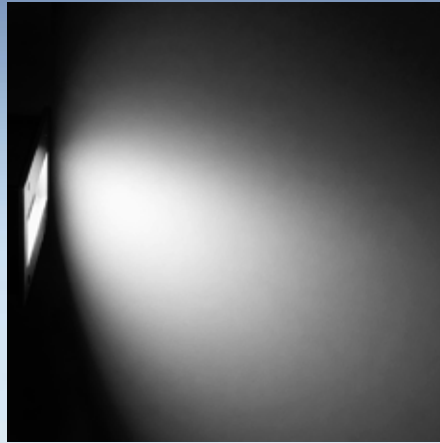
Occupancy Sensor. Add suffix **-OCC**.

Button/Switch **-SW**.

L600 THRU-WALL



Clear Glass Diffuser (Standard 5% Cutoff)



Frosted Glass Diffuser (Standard 5% Cutoff)

SPECIFICATIONS

Construction

- Recessed housing is constructed from 16 gauge electro-galvanized steel, matte black powder-coated
- Diffuser is clear tempered glass, set in silicone sealant
- Internal baffle is coated matte black to eliminate glare
- Optional junction box is cast aluminum with polyester coating
- cETLus listed installation in any wall construction and suitable for wet locations in any wall construction.

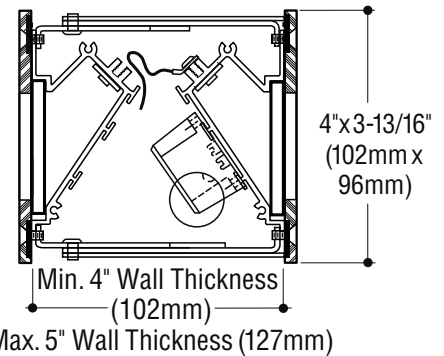
Electrical

- Fixture is wired with high performance LEDs positioned for 5°, 10° or 15° cutoff (5° standard)
- Integral driver is universal voltage
- Housing provided with 1/2" conduit knockout on each side, suitable for 4 wire thru-wiring, 2 in 2 out
- Optional junction box allows 8 wire thru-wiring, 4 in 4 out. Provided with two 1/2" tapped conduit entrances in the bottom and one 1/2" tapped conduit entrance in each side.



L606W Recessed (Illuminated)

SL606-N Surface

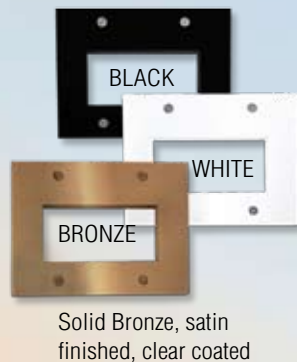


Standard or Optional Trim Color / Finishes



SATIN STAINLESS STEEL (Std.)

ALUMINUM
Metallic silver powder-coated (Std.)



BRONZE
Solid Bronze, satin finished, clear coated

Custom Options



Dark Bronze (RAL 8019)



Verdgris Brass



Satin Copper
clear coated

| Catalog Number Lamp | Thru-Wall Faceplates | |
|------------------------------|-----------------------|--|
| | Aluminum | |
| LED 1.5W, (126 lm @ 3000°K)* | L603W-2S-AL | |
| LED 3.2W, (331 lm @ 3000°K)* | L603W-2S-AL-HO | |
| | Stainless Steel | |
| LED 1.5W, (126 lm @ 3000°K)* | L603W-2S-N | |
| LED 3.2W, (331 lm @ 3000°K)* | L603W-2S-N-HO | |

*Indicated values for wattage, doubled for thru-wall models.

Photometric data available for Steplites can be downloaded at: www.colelighting.com/downloads/1





Photocell
(-PC)



Occupancy
Sensor
(-OCC)



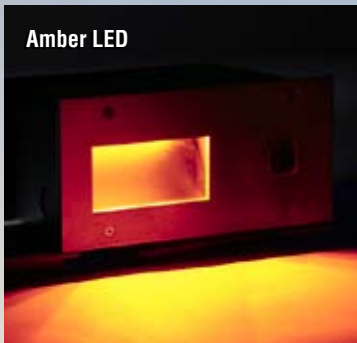
Button/Switch
(-SW)

L603W-N-PC

A variety of optional light activation devices are available for this directional L600 series step lite.



Blue LED



Amber LED



SPECIFICATIONS

Construction

- Faceplate is 3/16" Thick, Powder Coated Aluminum or Satin Stainless Steel
- Electro-Galvanized Steel Recessed Housing – Stainless Steel or Aluminum Surface Housing
- Wired with High Performance LEDs and Integral Universal Voltage
- Fixtures are furnished with stainless steel socket head tamperproof screws
- Diffuser is 3/16" Thick Clear Tempered Glass
- Internal baffle is coated matte black to eliminate glare
- Optional junction box is cast aluminum with polyester coating
- cETLus listed installation and suitable for wet locations in any wall construction. Suitable for Concrete Pour/Block Wall Mounting in Indoor and outdoor Installations

Electrical

- Fixture is wired with high performance LEDs positioned for 5°, 10° or 15° cutoff (5° standard)
- Integral driver is universal voltage
- Optional 0-10V Dimming Driver on Select Models
- Recessed housing provided with 1/2" conduit knockout on each side, suitable for 4 wire thru-wiring, 2 in 2 out. Surface housing conduit entries located per specification
- Optional junction box allows 8 wire thru-wiring, 4 in 4 out. Provided with two 1/2" tapped conduit entrances in the bottom and one 1/2" tapped conduit entrance in each side.

For more L600 Series information –
<http://colelighting.com/series/85>

L603W-PC



L603W-SW



L603W-OCC



Custom sizes available upon request.

COLE
Lighting