

Series	LED	Fluor.	Incan.	Dimming	Exterior	Interior	Feed-Thru	Other Options
280	●		●	●	●	●	●	Faceplate finishes Shielding

## Steplites

### 280 SERIES

#### Description

The 280 Series of Steplites offers a stylish means for low level walkway illumination. The satin or polished metal finishes add a premium quality appearance and the ribbed lens provides a jewel-like sparkle. The rugged construction, engineering excellence, and quality make these fixtures ideal for specification in most public areas.

#### Features

The lens design spreads light to the sides while the internal optical design keeps the focus directed downward. Optional guards add physical protection as well as a striking visual feature. The integral power supply keeps installation simple.

#### Applications

The 280 Series Steplites are suitable for concrete pour/block wall and stud wall mounting in indoor or outdoor installations. They are ideal in low walls and step risers where wide spacing is desirable.

#### Custom

If your project demands a special fixture we would be pleased to discuss the production of modified standard fixtures or custom fixtures to suit your specific conditions. For more information on our custom capabilities, please contact your local Cole representative.



L285VW — Vertical lens guard



L285HW — Horizontal lens guard



L286W — No guard



L287W — Stainless steel louver

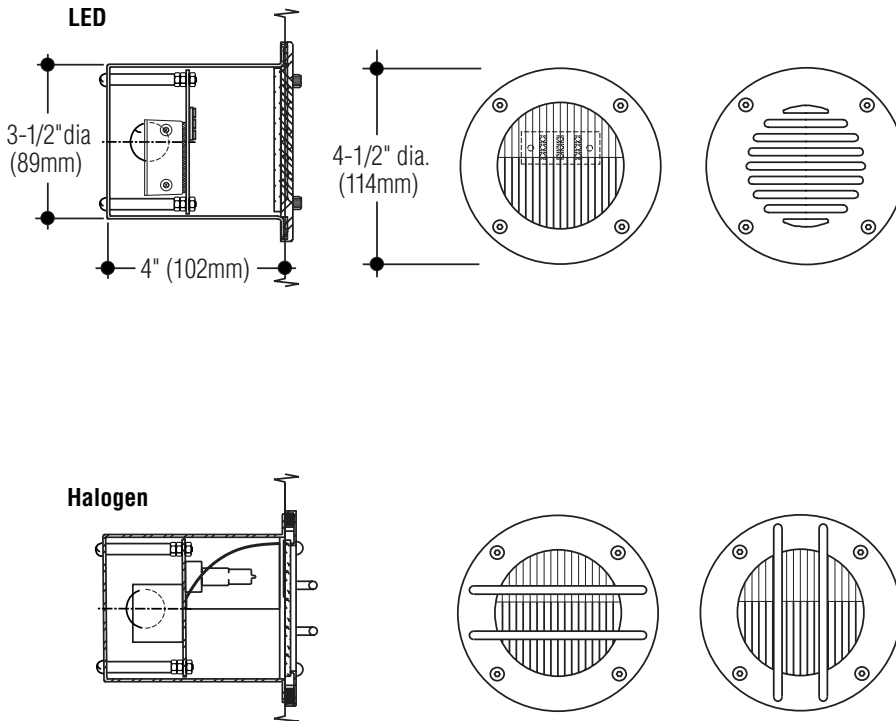
280 Series Steplites are available with a choice of faceplate finishes, guard orientation, and lenses.



C.W. Cole & Company, Inc.  
2560 Rosemead Boulevard  
South El Monte, CA 91733-1593

Tel. (626) 443-2473  
Fax (626) 443-9253  
info@colelighting.com  
[www.colelighting.com](http://www.colelighting.com)

## Steplites



## 280 SERIES

### SPECIFICATIONS

#### Construction

- Housing is spun 16 gauge stainless steel
- Trim is spun 18 gauge satin finished stainless steel, gasketed and retained by four stainless steel tamperproof button head screws
- Reflector is semi-specular aluminum
- Guard is 3/16" diameter stainless steel
- Spread lens is vertically ribbed tempered glass set in silicone sealant
- cETLus listed for wet locations
- LED suitable in any wall construction
- Halogen models suitable in concrete pour/block wall construction only.

#### Electrical

- Fixture is wired with high performance LEDs or one halogen lamp
- Integral driver is 120V only and features ELV dimming capability
- Integral electronic Halogen transformer is 120V only
- One 1/2" conduit knockout provided on each side of housing. Suitable for 4 wire thru-wiring, 2 in 2 out
- cETLus listed for wet locations

#### Mounting

Housing has flanges with holes for mounting.

### Catalog Number

Lamp	Vertical Guard	Horizontal Guard	Without Guard	Louwer
LED 3.06W, (450 lm @ 3000°K)	<b>L285VW</b>	<b>L285HW</b>	<b>L286W</b>	<b>L287W</b>
One 20W, (G4 base) 12V halogen	<b>T285VW</b>	<b>T285HW</b>	<b>T286W</b>	<b>T287W</b>

Lumens shown are source.

Photometric data available for Steplites can be downloaded at: [www.colelighting.com/downloads/1](http://www.colelighting.com/downloads/1)

### Options

**Finishes:** Polished stainless steel.

Add suffix **-PSS**. Satin brass with stainless steel guard. Add suffix **-SBR**.

**Clear prismatic glass lens:** Add suffix **-PG**.

**Opal glass diffuser:** Tempered. Add suffix **-OPL**.

**Tempered glass diffuser:** Flat, sandblasted.

Add suffix **-TG**.

**LED color:** 4000°K (470 lm). Add suffix **-4K**.

### How to Specify

1. Select catalog number with desired features.
2. Add suffixes for options required to meet job conditions.



**C.W. Cole & Company, Inc.**  
 2560 Rosemead Boulevard  
 South El Monte, CA 91733-1593

Tel. (626) 443-2473

Fax (626) 443-9253

[info@colelighting.com](mailto:info@colelighting.com)

[www.colelighting.com](http://www.colelighting.com)