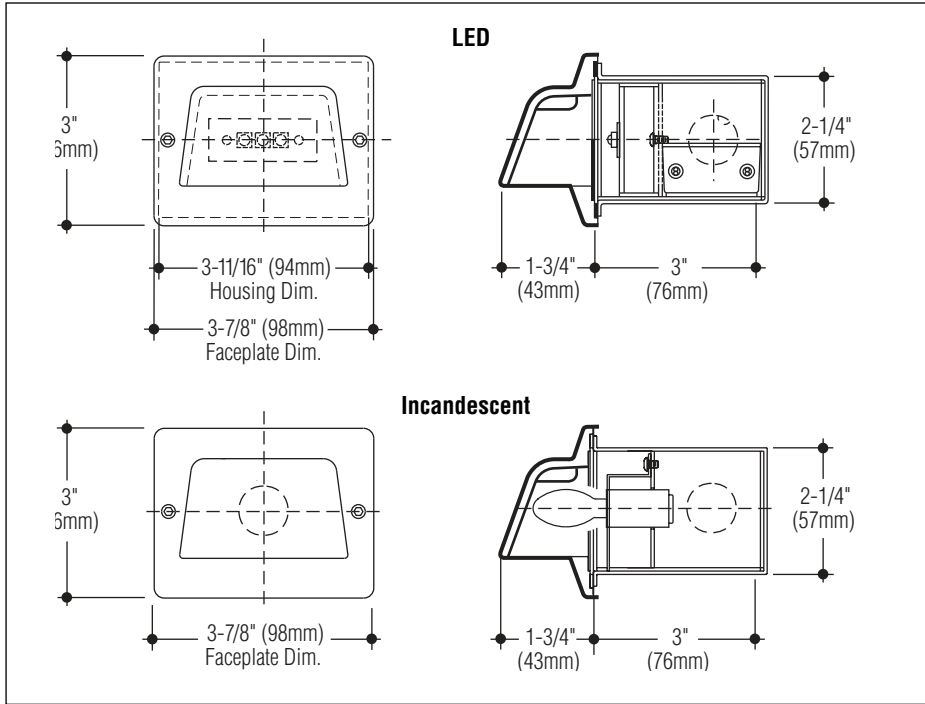


JOB NAME _____

TYPE _____

CATALOG NUMBER _____

Steplites



141 SERIES

Construction

- Housing is 16 gauge, electro-galvanized steel suitable for use in concrete pour installation
- Cast aluminum hooded faceplate is finished in black polyester retained by stainless steel screws
- Frosted tempered glass is furnished with LED models
- cETLus listed for use in wet locations, when specified, in any wall construction.

Electrical

- Fixture is wired with high-performance LEDs or low-wattage incandescent
- Integral driver is 120V only and features ELV dimming capability
- Fixture allows 4 wire thru-wiring, 2 in and 2 out. One 1/2" conduit knockout provided on each side of housing.

Mounting

Housing has flange with holes for mounting.

Catalog Number

Lamp

LED 4.2W, (235 lm @ 3000°K)

One 7W, (candelabra base) incandescent

L141

T141

Photometric data available for Steplites can be downloaded at: www.colelighting.com/downloads/1

Options

Weatherproof: For exterior applications, LED only. Add suffix **-W**.

Alternate faceplate color: Metallic aluminum or white. Add suffix **-ALU** or **-WHT**.

Tamperproof screws: Socket head faceplate screws. Add suffix **-TP**.

LED color: 4000°K (265 lm). Add suffix **-4K**.

How to Specify

1. Select catalog number.
2. Add suffixes for options required to meet job conditions.



C.W. Cole & Company, Inc.
 2560 N. Rosemead Boulevard
 South El Monte, CA 91733-1593

Tel. (626) 443-2473
 Fax (626) 443-9253
info@colelighting.com
www.colelighting.com