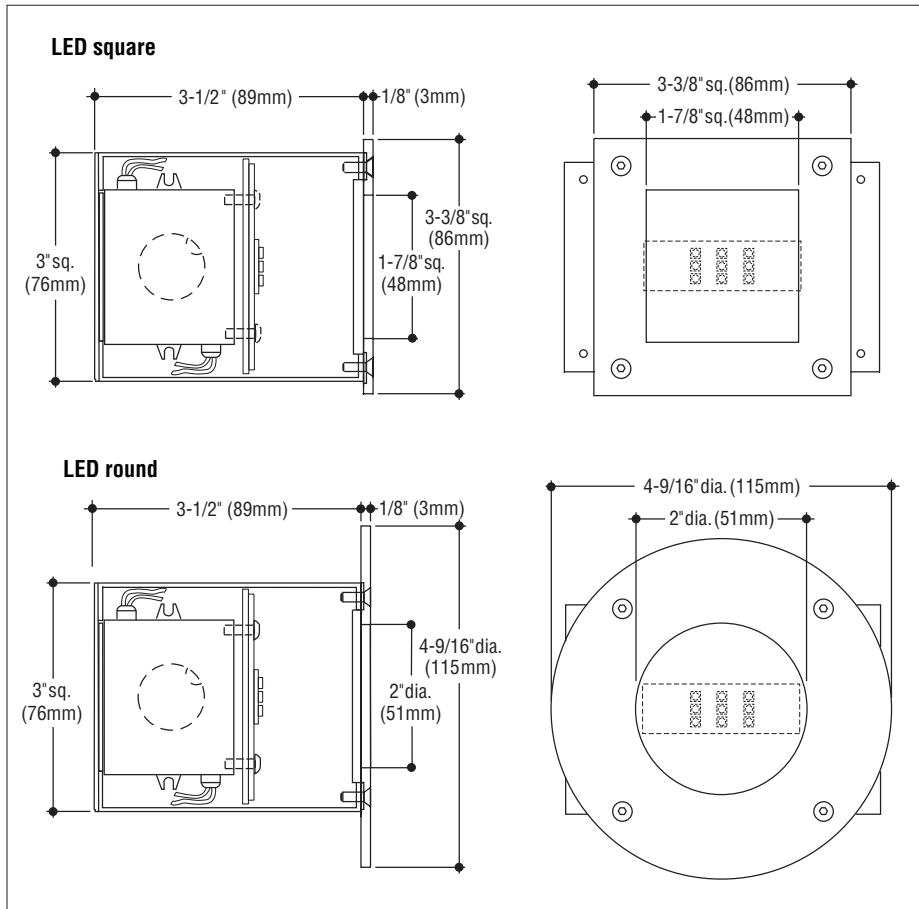


JOB NAME _____

TYPE _____

CATALOG NUMBER _____

Steplites L121 SERIES



SPECIFICATIONS

Construction

- Housing is 16 gauge stainless steel
- Faceplate is 1/8" metallic silver powder-coated aluminum or satin finished stainless steel, passivated for maximum rust resistance
- Fixtures are furnished with stainless steel socket head tamperproof screws
- Diffuser is frosted or optional, opal, tempered glass set in silicone sealant
- cETLus listed for wet locations in any wall construction.

Electrical

- Fixture is wired with high performance LEDs
- Integral driver is 120V only and features ELV dimming capability
- Housing provided with 1/2" conduit knockout on each side.

Mounting

Housing has flanges with holes for mounting.

Catalog Number Lamp	Square Faceplate		Round Faceplate	
	Aluminum	Stainless Steel	Aluminum	Stainless Steel
LED 3.06W, (450 lm @ 3000°K)	<input type="checkbox"/> L121SW-AL	<input type="checkbox"/> L121RW-N	<input type="checkbox"/> L121SW-AL	<input type="checkbox"/> L121RW-N

Lumens shown are source.

Photometric data available for Steplites can be downloaded at: www.colelighting.com/downloads/1

Options

LED color: 4000°K (470 lm). Add suffix -4K.

Opal glass diffuser: Tempered.

Add suffix -OPL.

Bronze faceplate: Satin finish, clear coated.

Add suffix -B.

Alternate faceplate color: Black, white or custom color. Add suffix -BLK, -WHT, or -CC.

Louvered faceplate: 3/16" thick, narrow louvered faceplate. Add suffix -LVR.

Two hole: Faceplate with two fasteners.

Add suffix -2H.

No hole: No visible fasteners (damp or dry locations only). Substitute -NH for W.

How to Specify

1. Select catalog number.
2. Add suffixes for options required to meet job conditions.

COLE
Lighting

C.W. Cole & Company, Inc.
2560 Rosemead Boulevard
South El Monte, CA 91733-1593

Tel. (626) 443-2473

Fax (626) 443-9253

info@colelighting.com

www.colelighting.com