

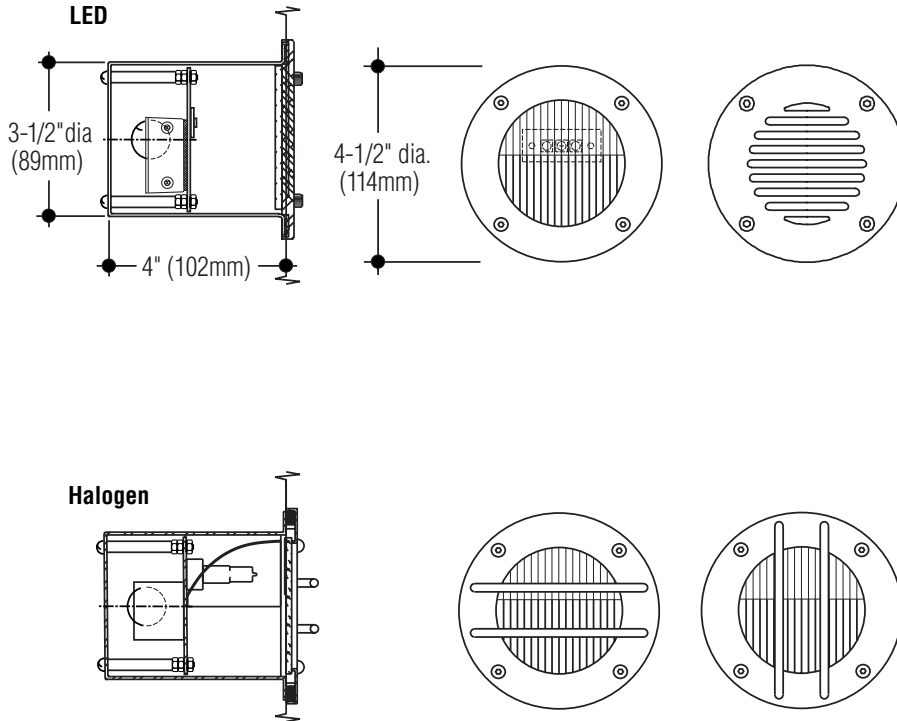
JOB NAME _____

TYPE _____

CATALOG NUMBER _____

Steplites

280 SERIES



SPECIFICATIONS

Construction

- Housing is spun 16 gauge stainless steel
- Trim is spun 18 gauge satin finished stainless steel, gasketed and retained by four stainless steel tamperproof button head screws
- Reflector is semi-specular aluminum
- Guard is 3/16" diameter stainless steel
- Spread lens is vertically ribbed tempered glass set in silicone sealant
- cETLus listed for wet locations
- LED suitable in any wall construction
- Halogen models suitable in concrete pour/block wall construction only.

Electrical

- Fixture is wired with high performance LEDs or one halogen lamp
- Integral driver is 120V only and features ELV dimming capability
- Integral electronic Halogen transformer is 120V only
- One 1/2" conduit knockout provided on each side of housing. Suitable for 4 wire thru-wiring, 2 in 2 out
- cETLus listed for wet locations

Mounting

Housing has flanges with holes for mounting.

Catalog Number

Lamp	Vertical Guard	Horizontal Guard	Without Guard	Louwer
LED 3.06W, (450 lm @ 3000°K)	<input type="checkbox"/> L285VW	<input type="checkbox"/> L285HW	<input type="checkbox"/> L286W	<input type="checkbox"/> L287W
One 20W, (G4 base) 12V halogen	<input type="checkbox"/> T285VW	<input type="checkbox"/> T285HW	<input type="checkbox"/> T286W	<input type="checkbox"/> T287W

Photometric data available for Steplites can be downloaded at: www.colelighting.com/downloads/1

Options

Finishes: Polished stainless steel.

Add suffix **-PSS**. Satin brass with stainless steel guard. Add suffix **-SBR**.

Clear prismatic glass lens: Add suffix **-PG**.

Opal glass diffuser: Tempered.

Add suffix **-OPL**.

Tempered glass diffuser: Flat, sandblasted.

Add suffix **-TG**.

LED color: 4000°K (470 lm). Add suffix **-4K**.

How to Specify

1. Select catalog number with desired features.
2. Add suffixes for options required to meet job conditions.



C.W. Cole & Company, Inc.
 2560 N. Rosemead Boulevard
 South El Monte, CA 91733-1593

Tel. (626) 443-2473
 Fax (626) 443-9253
 info@colelighting.com
www.colelighting.com