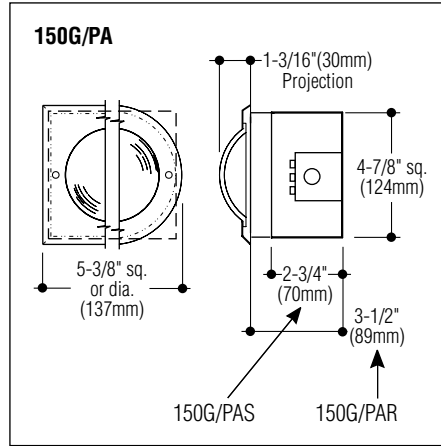
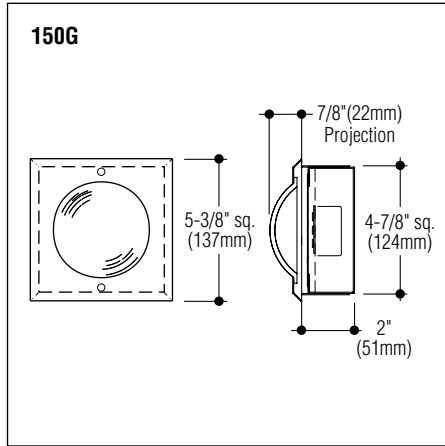
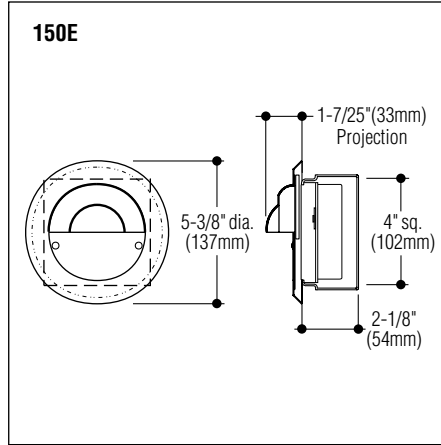
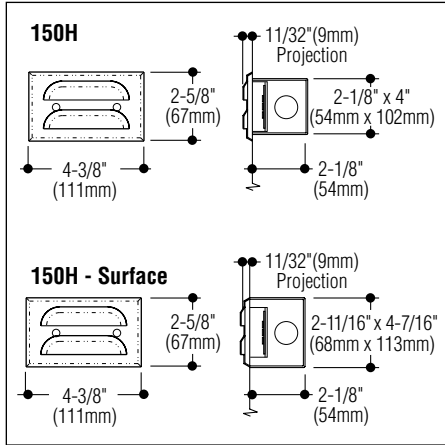


**JOB NAME** \_\_\_\_\_

**TYPE** \_\_\_\_\_

**CATALOG NUMBER** \_\_\_\_\_



**Steplites**  
**150 SERIES**

**SPECIFICATIONS**

**Construction**

- Faceplate is die-formed 20 gauge steel with white polyester coating, retained by stainless steel pan-head screws
- 150H and 150E utilize standard electrical junction boxes as housings
- SL150H, 150G and 150G/PA have 18 gauge electro-galvanized steel housing with white polyester coating
- Faceplate is gasketed for light leak
- 150E and (LED) 150H diffuser is clear/frosted acrylic
- Reflector is constructed of white die-formed aluminum
- cETLus listed, suitable for installation in any wall construction.
- Suitable for damp locations.

**Electrical**

- Fixture is wired for either LED or one 7W C7 candelabra base incandescent lamp (25W A19 medium base for 150G/PA models)
- Integral driver is standard universal voltage, except on L150H model which is 120V only and features ELV dimming capability
- Fixtures featuring thru-wire capability: 150E, 2 wires in, 2 wires out; T150G, 2 wires in, 2 wires out; T150G/PA, 2 wires in, 2 wires out. Housing provided with 1/2" conduit on each side
- T150G/PA models have long-life diode prewired in circuit to meet PA codes.

**Mounting**

Housing has holes for mounting.

**How to Specify**

1. Select catalog number with desired features.
2. Add suffixes for options required to meet job conditions.

**Catalog Numbers**

Lamp	Faceplate	
LED 3.06W, (450 lm @ 3000°K)	Rectangular with louver, clear/frosted diffuser	<input type="checkbox"/> L150H
LED 3.06W, (450 lm @ 3000°K)	Rectangular with louver, clear/frosted diffuser	<input type="checkbox"/> SL150H**
LED 3.06W, (340 lm @ 3000°K)	Round with "eyelid", clear/frosted diffuser	<input type="checkbox"/> L150E
LED 3.06W, (340 lm @ 3000°K)	Square with round red diffuser	<input type="checkbox"/> L150G
LED 3.06W, (340 lm @ 3000°K)	Square with round blue diffuser, PA code	<input type="checkbox"/> L150G/PAS
LED 3.06W, (340 lm @ 3000°K)	Round with blue diffuser, PA code	<input type="checkbox"/> L150G/PAR
One 7W, C7 candelabra base incandescent	Rectangular with louver	<input type="checkbox"/> T150H
One 7W, C7 candelabra base incandescent	Round with "eyelid", clear/frosted diffuser	<input type="checkbox"/> T150E
One 7W, C7 candelabra base incandescent	Square with round red diffuser	<input type="checkbox"/> T150G
One 25W, A19 medium base incandescent*	Square with round blue diffuser, PA code	<input type="checkbox"/> T150G/PAS
One 25W, A19 medium base incandescent*	Round with blue diffuser, PA code	<input type="checkbox"/> T150G/PAR

\* requires Osram/Sylvania lamp (3 15/16" M.O.L.)

\*\* Surface fixture

Photometric data available for Steplites can be downloaded at: [www.colelighting.com/downloads/1](http://www.colelighting.com/downloads/1)

**Options**

- Dimming:** Universal voltage, 0-10V driver.  
Add suffix  -DIM. (ELV dimming is standard on L150H, 120V).
- LED color:** 4000°K (355 lm), L150H (470 lm).  
Add suffix  -4K.
- Stainless steel faceplate:** (except 150E)  
Add suffix  -N.

- Diffuser color:** White, red, blue, and green (150G only). Add suffix  -WHT,  -RED,  -BLU or  -GRN.
- Alternate faceplate color:** Black or metallic aluminum. Add suffix  -BLK or  -ALU.
- Antimicrobial white paint:** Resist microbial growth. Add suffix  -AM
- Tamperproof screws:** Socket head faceplate screws. Add suffix  -TP.



**C.W. Cole & Company, Inc.**  
2560 N. Rosemead Boulevard  
South El Monte, CA 91733-1593

Tel. (626) 443-2473  
Fax (626) 443-9253  
info@colelighting.com  
[www.colelighting.com](http://www.colelighting.com)