

JOB NAME _____

TYPE _____

CATALOG NUMBER _____

Exterior Applications

S2153W-L-626 — Recessed



The S2153 provides a high aspect ratio for short copy requirements.

Catalog Number Lamp

- 1x40W A19 med. base incan. **S2153W-***
 - LED 4.5W, (377 lm @ 3000°K) **S2153W-L-***
- * Add copy requirement

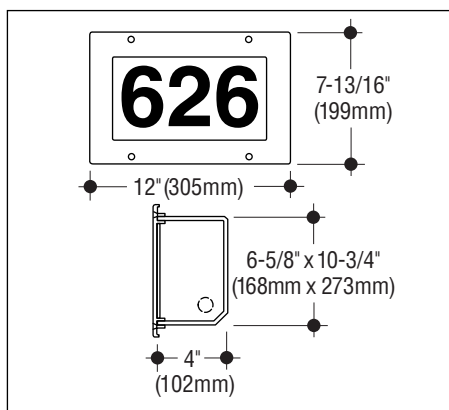
Options

Alternate Faceplate Color: Black or white.

Add suffix -BLK or -WHT.

Bronze Faceplate: Satin finished. Add suffix -B.

Tamperproof Screws: Socket head faceplate screws. Add suffix -TP.



Signs

S2153/S2156 Series

Specifications

Construction

- S2153 and S2156 recessed housing are constructed from die-formed 16 gauge steel electro-galvanized finished with a white polyester coating
- Surface housing and faceplate is cast aluminum with metallic aluminum polyester coating, gasketed and retained by stainless steel screws
- Diffuser is .125" white acrylic set in silicone sealant
- Reflector is die-formed gloss white aluminum
- cETLus listed, suitable for wet locations
- Incandescent models suitable for concrete pour/block wall construction only
- LED models suitable for any wall construction

Copy

- Copy is either applied vinyl or silk-screened, as most suitable for quantity required
- Standard copy is opaque black on white background
- Factory will size copy required in block letters as illustrated, unless otherwise specified

Electrical

- Wired for LED or incandescent lamps
- Drivers are universal voltage

Mounting

Housing has flange with holes for mounting.

How to Specify

1. Select catalog number with desired features.
2. Add copy to catalog number, including color and style if there are specific requirements.
3. Add suffixes for options required to meet job conditions.

S2156W-L-ENTER — Recessed



The S2156 series has a low aspect ratio for longer copy requirements.

Catalog Number Lamp

- 2x25W A19 med. base incan. **S2156W-***
 - LED 4.5W, (377 lm @ 3000°K) **S2156W-L-***
 - LED 4.5W, (377 lm @ 3000°K) **S2156SW-L-***
- * Add copy requirement

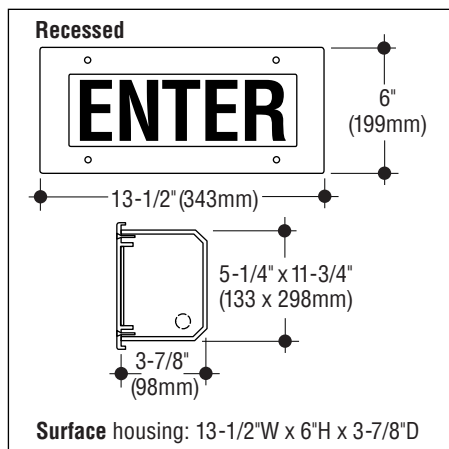
Options

Alternate Faceplate Color: Black or white.

Add suffix -BLK or -WHT.

Bronze Faceplate: Satin finished. Bronze Faceplate w/housing (Surface models only) Add suffix -B.

Tamperproof Screws: Socket head faceplate screws. Add suffix -TP.



S2156SW-L-ENTER — Surface



C.W. Cole & Company, Inc.
 2560 N. Rosemead Boulevard
 South El Monte, CA 91733-1593

Tel. (626) 443-2473
 Fax (626) 443-9253
 info@colelighting.com
www.colelighting.com