

JOB NAME _____

TYPE _____

CATALOG NUMBER _____

Exits

Interior/Exterior Applications

Brutus

Very Tough Exit Signs

SPECIFICATIONS

Construction

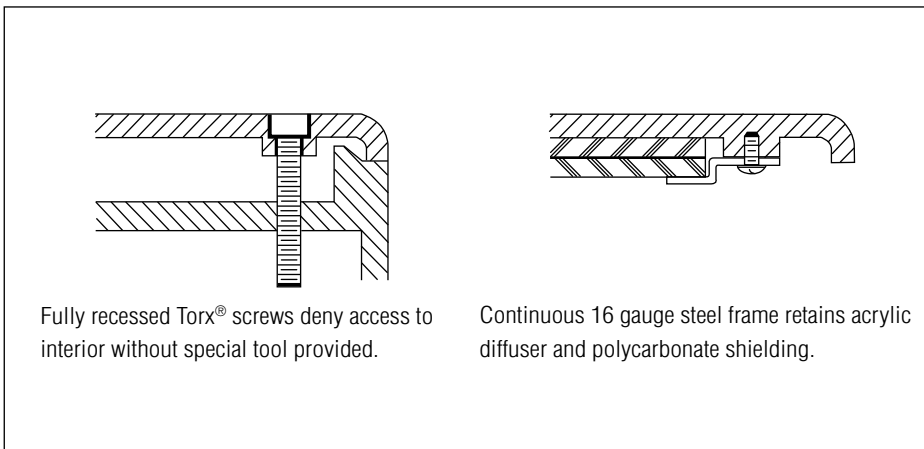
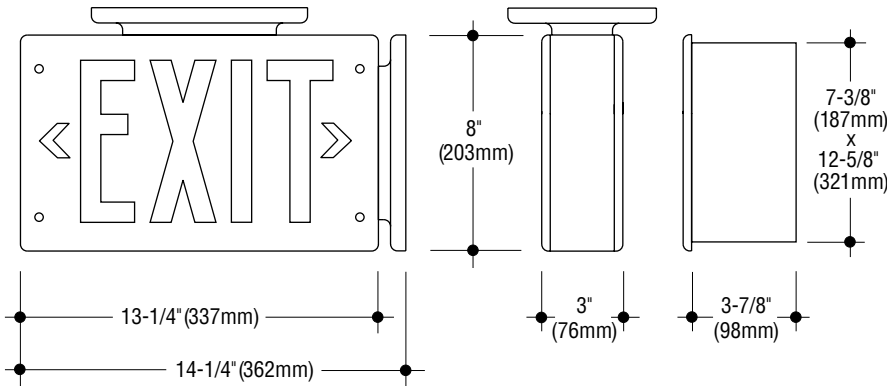
- Surface housing, faceplate, and bracket are constructed from cast aluminum with a bronze enamel finish
- Recessed housing is 16 gauge steel, suitable for poured concrete construction
- Letters and arrows are stencil cast in faceplate
- Diffuser is .125" colored acrylic covered by .125" clear polycarbonate shielding, retained by continuous 16 gauge steel frame
- Faceplate is retained by four Torx® tamperproof screws
- cULus listed, suitable for wet locations when specified.

Electrical

- Red or green LEDs are dual-circuit and universal voltage
- When emergency battery operation is specified, all components are contained in housing. Nickel cadmium battery, test light and button are included with the -EM option.

Mounting

- Surface signs mount with concealed fasteners to wall or ceiling construction, not to junction box
- Recessed housing has holes for mounting.



Catalog Numbers	Single Face			Double Face		
	Back	Ceiling	End	Recessed	Ceiling	End
LED .4W (Red), .3W (Green)	<input type="checkbox"/> LX165	<input type="checkbox"/> LX166	<input type="checkbox"/> LX168	<input type="checkbox"/> LX167	<input type="checkbox"/> LDX166	<input type="checkbox"/> LDX168

Required suffixes

- Letter color -RED -GRN
 Voltage -120 -277

Options

Directional arrows:

- Arrow left -AL.
- Arrow right -AR.
- Doublehead -A2.
- Left and right (for double face) -A.

Emergency battery: Integral circuitry provides 90 minutes of operation. Add suffix -EM.

Weatherproof: Add suffix -W.

Custom color: Contact factory for custom preference. Add suffix -CC.

How to Specify

1. Select catalog number with desired features.
2. Add suffixes for options required to meet job conditions.



C.W. Cole & Company, Inc.
 2560 Rosemead Boulevard
 South El Monte, CA 91733-1593

Tel. (626) 443-2473
 Fax (626) 443-9253
 info@colelighting.com
www.colelighting.com