

JOB NAME _____

TYPE _____

CATALOG NUMBER _____

Plugging Box

330 SERIES

SPECIFICATIONS

Construction

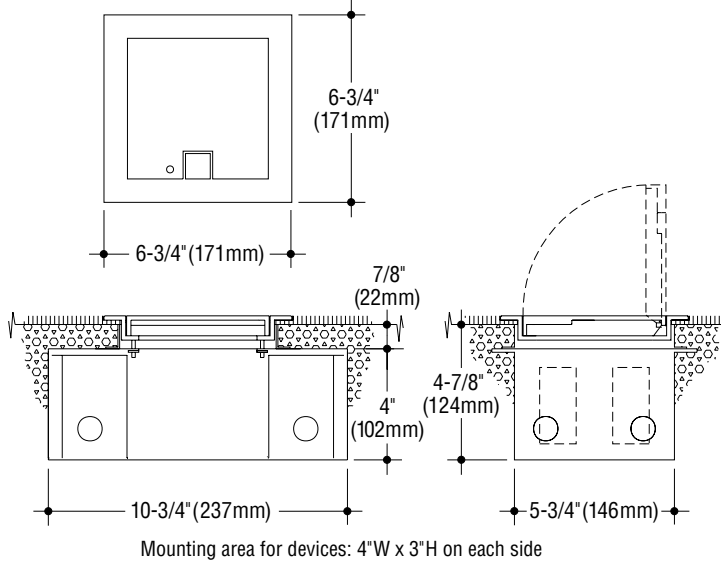
- Frame and door are cast aluminum with natural satin finish
- Housing and interior panel are 16 gauge steel with white polyester coating
- Frame has integral flange for carpet; optional flangeless frame is available
- Inner hinged cover closes cord slot when not in use

Electrical

- Interior panels are provided blank to allow contractor to install required devices; can be provided with specified devices factory-installed
- Housing has two 1/2"-3/4"-1" combination trade size conduit entrances in each end
- Separation barrier is required if high and low voltages are present in same interior panel

Mounting

Housing is designed for installation in poured concrete floors.



Catalog Numbers

TLS-330

Options

Bronze: Frame and doors are satin finished cast red brass. Add suffix **-B.**

Flush Frame: Provides flangeless frame (5-3/4" x 5-3/4") for non-carpeted floors. Add suffix **-FF.**

Installed Devices: Specify required electrical devices for factory installation. Add suffix **-9.**

How to Specify

1. Select catalog number with option suffix(es).
2. Specify electrical devices if factory installation is desired.
3. Indicate special conduit feed locations if required.



C.W. Cole & Company, Inc.
 2560 N. Rosemead Boulevard
 South El Monte, CA 91733-1593

Tel. (626) 443-2473
 Fax (626) 443-9253
 info@colelighting.com
www.colelighting.com