

JOB NAME _____

Type _____

CATALOG NUMBER _____

Downlites

D180 SERIES

SPECIFICATIONS

Construction

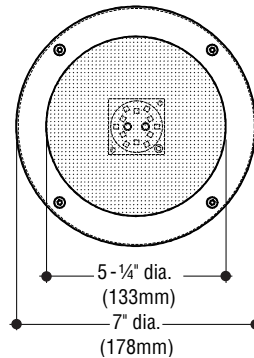
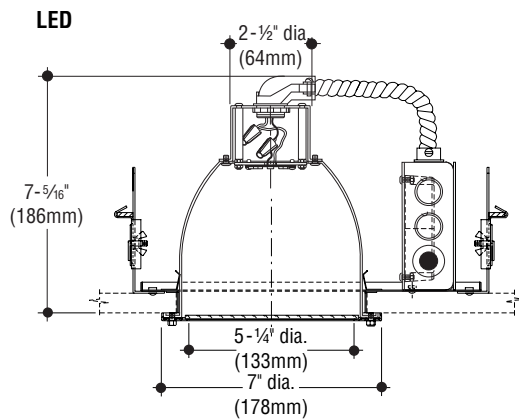
- Semi specular reflector housing is spun aluminum
- Trim is spun 18 gauge satin stainless steel, gasketed and retained by four stainless steel tamperproof socket head cap screws
- Optional guard is 1/4" diameter stainless steel
- Shielding is frosted tempered glass

Electrical

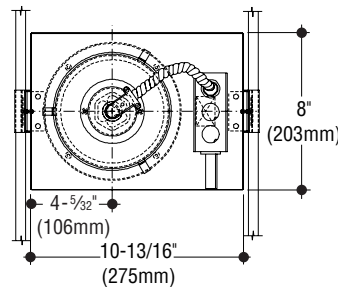
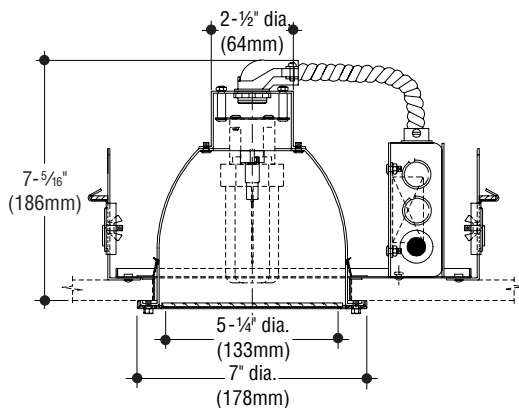
- Wired for LED, compact fluorescent or halogen lamp
- Driver, ballast and transformer are integral
- Driver features ELV and triac dimming capabilities
- LED and halogen are 120V only, fluorescent is 120V (277V optional)
- Halogen models suitable for non-IC ceiling construction only
- cETLus listed for wet locations when specified
- LED and fluorescent models suitable in IC/non-IC ceiling construction

Mounting

Housing has adjustable hangers and two 18" mounting bars.



Fluorescent & Halogen



Catalog Numbers

Lamps

One 12W LED, (1020 lumens at 3000°K)

One 13W (GX24q-1 base) compact fluorescent

One 50W (GY6.35 base) 12V halogen

No Guard

DL183

DF183-13

DT183-50

With Guard

DL181

DF181-13

DT181-50

Options

Alternate finishes:

Satin brass with stainless steel guard **-SBR.**

Polished stainless steel **-PSS.**

Ballast: Fluorescent only, 277V ballast.

Add suffix **-277.**

Clear prismatic glass lens: Add suffix **-PG.**

Opal glass diffuser: (standard on LED models)

Add suffix **-OPL.**

Weatherproof: IP 55 rated for exterior applications. Add suffix **-W.**

LED colors: 4000°K (1100 lm). Add suffix **-4K.**

Remote power supply: Recommended when used in saunas or spas. Add suffix **-REM.**

How to Specify

1. Select catalog number with desired features.
2. Add suffixes for options required to meet job conditions.

C.W. Cole & Company, Inc.
2560 N. Rosemead Boulevard
South El Monte, CA 91733-1593

Tel. (626) 443-2473

Fax (626) 443-9253

info@colelighting.com

www.colelighting.com