

**JOB NAME** \_\_\_\_\_

**Type** \_\_\_\_\_

**CATALOG NUMBER** \_\_\_\_\_

**Downlites**

## Round Concrete Mount

### SPECIFICATION

#### Construction

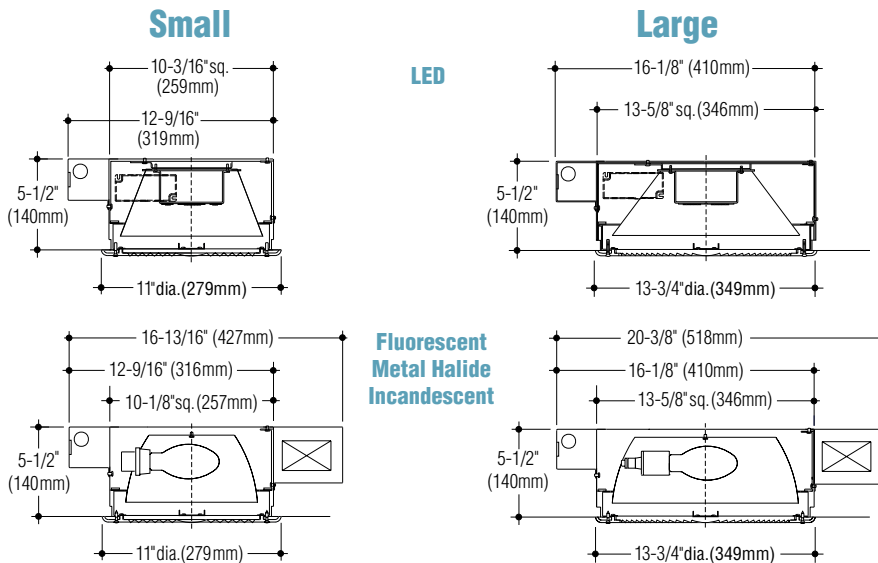
- Cast aluminum trim with metallic aluminum polyester coating. Other colors are available
- 16 gauge electro-galvanized steel housing with white polyester coating
- Drop-hinged trim secured by two stainless steel captive screws
- Semi-specular aluminum reflector
- Flat Fresnel glass lens standard for LED, metal halide and incandescent models; flat Pattern 73 prismatic glass lens for fluorescent models. Other shielding is available.

#### Electrical

- Fixtures are wired for LEDs, compact fluorescent, metal halide or incandescent lamps
- Drivers and electronic ballasts are universal voltage
- Integral junction box has 1/2" conduit knock-outs at each end and two in back
- Junction box is accessible from above and within housing for wiring before or after the fixture is in place
- cETLus listed for wet locations when specified.

#### Mounting

- Housing has flanges for attachment to forms.



*Metal halide shown, fluorescent and incandescent models do not include ballast enclosure.*

	Catalog Number	Wattage/Lamp	Base
<b>Small</b>	<input type="checkbox"/> <b>2308R</b>	LED 12.3W, (1360 lm @ 3000°K)	GX24q-3 E17 Medium A21 Medium
	<input type="checkbox"/> <b>2308R-HO</b>	LED 18.4W, (2040 lm @ 3000°K)	
	<input type="checkbox"/> <b>2408R</b>	32W compact fluorescent	
	<input type="checkbox"/> <b>2508R</b>	100W metal halide	
	<input type="checkbox"/> <b>2608R</b>	150W incandescent	
<b>Large</b>	<input type="checkbox"/> <b>2312R</b>	LED 18.4W, (2040 lm @ 3000°K)	GX24q-4 E17 Medium A21 Medium
	<input type="checkbox"/> <b>2412R</b>	42W compact fluorescent	
	<input type="checkbox"/> <b>2512R</b>	150W metal halide	
	<input type="checkbox"/> <b>2612R</b>	200W incandescent	

Photometric data available for Steplites can be downloaded at: [www.colelighting.com/downloads/1](http://www.colelighting.com/downloads/1)

### Options

#### Trim:

- Satin stainless steel. Add suffix  **-N**.
- Cast louvered. (Small only) Add suffix  **-L**.
- Cast regressed. Add suffix  **-P**.

#### Shielding:

- Concave lens
- Small: Holophane #555. Add suffix  **-555**.
- Large: Holophane #556. Add suffix  **-556**.
- 3/8" Frosted tempered glass diffuser.
- Add suffix  **-HD**.

**Tamperproof screws:** Socket head trim screws. Add suffix  **-TP**.

**Dimming:** Fluorescent and LED, Universal voltage, 0-10V driver. Add suffix  **-DIM**.

**Weatherproof:** IP 55 rated for exterior applications. Add suffix  **-W**.

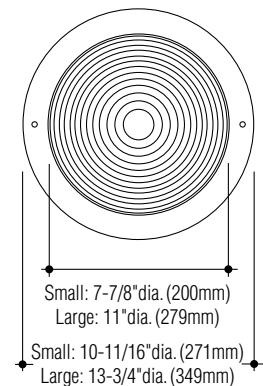
**Emergency battery:** Provides up to 90 minutes operation for both LED and fluorescent models. Add suffix  **-EM**.

#### Alternate faceplate color:

- Black. Add suffix  **-BLK**.
- White. Add suffix  **-WHT**.
- Custom color. Specify. Add suffix  **-CC**.

#### How to Specify

1. Select catalog number.
2. Add suffixes for options required to meet job conditions.



**C.W. Cole & Company, Inc.**  
2560 N. Rosemead Boulevard  
South El Monte, CA 91733-1593

Tel. (626) 443-2473  
Fax (626) 443-9253  
info@colelighting.com  
[www.colelighting.com](http://www.colelighting.com)