

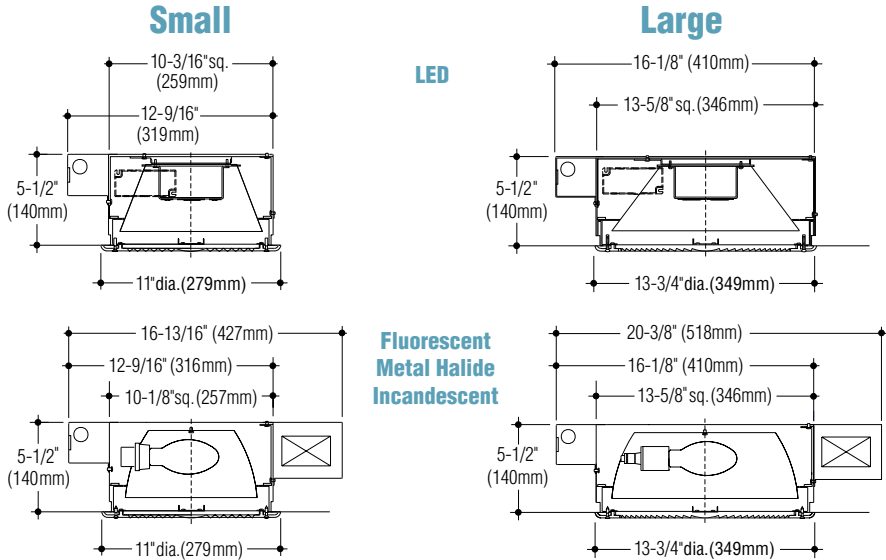
**JOB NAME** \_\_\_\_\_

**Type** \_\_\_\_\_

**CATALOG NUMBER** \_\_\_\_\_

**Downlites**

**Round Dry Ceiling**



*Metal halide shown, fluorescent and incandescent models do not include ballast enclosure.*

**SPECIFICATION**

**Construction**

- Cast aluminum trim with metallic aluminum polyester coating. Other colors are available
- 16 gauge electro-galvanized steel housing with white polyester coating
- Drop-hinged trim secured by two stainless steel captive screws
- Semi-specular aluminum reflector
- Flat Fresnel glass lens standard for LED, metal halide and incandescent models; flat Pattern 73 prismatic glass lens for fluorescent models. Other shielding is available.

**Electrical**

- Fixtures are wired for LEDs, compact fluorescent, metal halide or incandescent lamps
- Drivers and electronic ballasts are universal voltage
- Integral junction box has 1/2" conduit knock-outs at each end and two in back
- Junction box is accessible from above and within housing for wiring before or after the fixture is in place
- cETLus listed for wet locations when specified.

**Mounting**

- Housing has adjustable hangers and two 18" mounting bars.

	Catalog Number	Wattage/Lamp	Base
<b>Small</b>	<input type="checkbox"/> 1308R	LED 12.3W, (1360 lm @ 3000°K)	GX24q-3 E17 Medium A21 Medium
	<input type="checkbox"/> 1308R-HO	LED 18.4W, (2040 lm @ 3000°K)	
	<input type="checkbox"/> 1408R	32W compact fluorescent	
	<input type="checkbox"/> 1508R	100W metal halide	
	<input type="checkbox"/> 1608R	150W incandescent	
<b>Large</b>	<input type="checkbox"/> 1312R	LED 18.4W, (2040 lm @ 3000°K)	GX24q-4 E17 Medium A21 Medium
	<input type="checkbox"/> 1412R	42W compact fluorescent	
	<input type="checkbox"/> 1512R	150W metal halide	
	<input type="checkbox"/> 1612R	200W incandescent	

Photometric data available for Steplites can be downloaded at: [www.colelighting.com/downloads/1](http://www.colelighting.com/downloads/1)

**Options**

**Trim:**

- Satin stainless steel. Add suffix  -N.
- Cast louvered. (Small only) Add suffix  -L.
- Cast regressed. Add suffix  -P.

**Shielding:**

- Concave lens
  - Small: Holophane #555. Add suffix  -555.
  - Large: Holophane #556. Add suffix  -556.
- Flat 3/8" tempered glass diffuser. Add suffix  -HD.

**Tamperproof screws:** Socket head trim screws. Add suffix  -TP.

**Dimming:** Fluorescent and LED, Universal voltage, 0-10V driver. Add suffix  -DIM.

**Weatherproof:** IP 55 rated for exterior applications. Add suffix  -W.

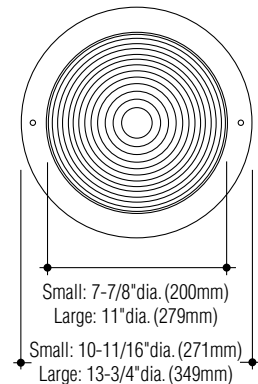
**Emergency battery:** Provides up to 90 minutes operation for both LED and fluorescent models. Add suffix  -EM.

**Alternate faceplate color:**

- Black. Add suffix  -BLK.
- White. Add suffix  -WHT.
- Custom color. Specify. Add suffix  -CC.

**How to Specify**

1. Select catalog number.
2. Add suffixes for options required to meet job conditions.



**C.W. Cole & Company, Inc.**  
 2560 N. Rosemead Boulevard  
 South El Monte, CA 91733-1593

Tel. (626) 443-2473  
 Fax (626) 443-9253  
 info@colelighting.com  
[www.colelighting.com](http://www.colelighting.com)