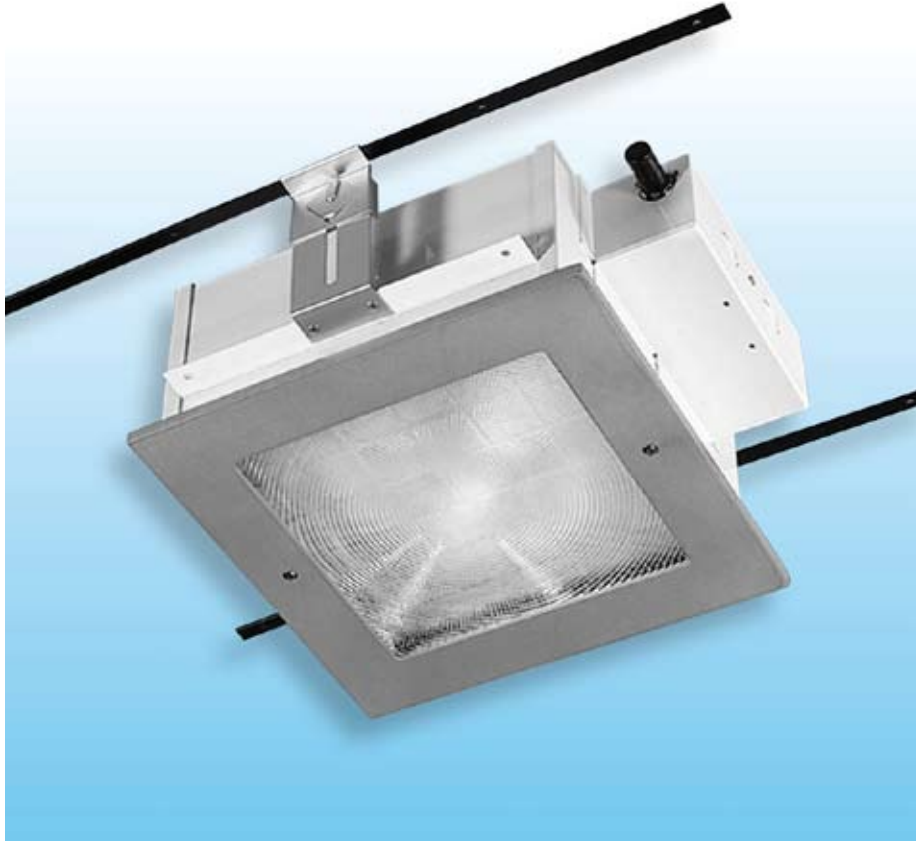


## Square Dry Ceiling



### Downlites

#### Description

These square Downlites for dry ceiling installations are offered in two sizes. LED, metal halide, fluorescent and incandescent lamp options are available along with a variety of trims. The robust construction and weathertight option make these fixtures ideal for many interior and exterior public areas.

#### Features

Steel housings with accessible junction boxes are suitable for installation in dry construction. Housings are provided with adjustable hangers and mounting bars. Durable cast aluminum or stainless steel trims, combined with a selection of lenses provide a solution for most any application.

#### Applications

Downlites are best suited for outdoor canopies, loading areas, and other exposed locations in schools, sports venues, and industrial facilities.

#### Custom

If your project demands a special fixture we would be pleased to discuss the production of custom fixtures to suit your specific conditions. For more information on our custom capabilities, please contact your local Cole representative.



**Guard with  
Tempered Glass**



**Cast Aluminum  
Regressed Trim**



**Stainless Steel  
Drop Lens Trim**

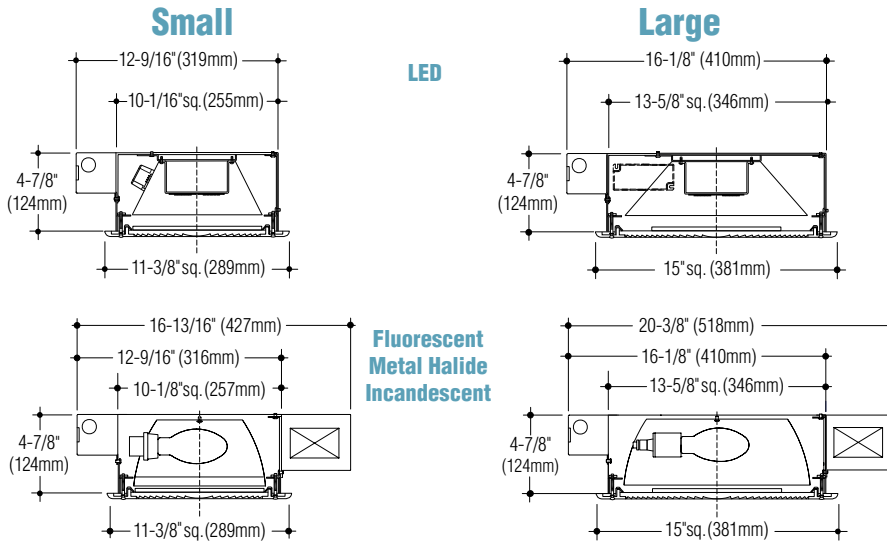


**C.W. Cole & Company, Inc.**  
2560 N. Rosemead Boulevard  
South El Monte, CA 91733-1593

Tel. (626) 443-2473  
Fax (626) 443-9253  
info@colelighting.com  
[www.colelighting.com](http://www.colelighting.com)

## Square Dry Ceiling

## Downlites



Metal halide shown, fluorescent and incandescent models do not include ballast enclosure.

	Catalog Number	Wattage/Lamp	Base
Small	<b>1308S</b>	LED 12.3W, (1360 lm @ 3000°K)	GX24q-3 E17 Medium A21 Medium
	<b>1308S-HO</b>	LED 18.4W, (2040 lm @ 3000°K)	
	<b>1408S</b>	32W compact fluorescent	
	<b>1508S</b>	100W metal halide	
	<b>1608S</b>	150W incandescent	
Large	<b>1312S</b>	LED 18.4W, (2040 lm @ 3000°K)	GX24q-4 E17 Medium A21 Medium
	<b>1412S</b>	42W compact fluorescent	
	<b>1512S</b>	150W metal halide	
	<b>1612S</b>	200W incandescent	

Photometric data available for Steplites can be downloaded at: [www.colelighting.com/downloads/1](http://www.colelighting.com/downloads/1)

### Options

#### Trim:

- Satin stainless steel. Add suffix **-N**.
- Cast guard. Add suffix **-G**.
- Cast regressed. Add suffix **-P**.

#### Shielding:

- Drop lens (Large only) Holophane #771. Add suffix **-771**
- 3/8" Frosted tempered glass diffuser. Add suffix **-HD**.

**Tamperproof screws:** Socket head trim screws. Add suffix **-TP**.

**Dimming:** Fluorescent and LED, Universal voltage, 0-10V driver. Add suffix **-DIM**.

**Weatherproof:** IP55 rated for exterior applications. Add suffix **-W**.

**Emergency battery:** Provides up to 90 minutes operation for both LED and fluorescent models. Add suffix **-EM**.

#### Alternate faceplate color:

- Black. Add suffix **-BLK**.
- White. Add suffix **-WHT**.
- Custom color. Specify. Add suffix **-CC**.

### How to Specify

- Select catalog number.
- Add suffixes for options required to meet job conditions.

### SPECIFICATION

#### Construction

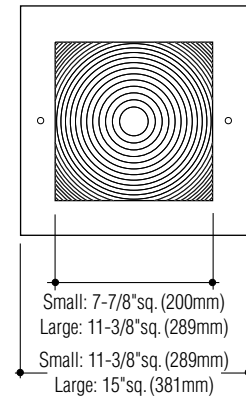
- Cast aluminum trim with metallic aluminum polyester coating. Other colors are available
- 16 gauge electro-galvanized steel housing with white polyester coating
- Drop-hinged trim secured by two stainless steel captive screws
- Semi-specular aluminum reflector
- Fresnel glass lens standard for LED, metal halide and incandescent models; Pattern 73 prismatic glass lens for fluorescent models. Other shielding is available.

#### Electrical

- Fixtures are wired for LEDs, compact fluorescent, metal halide or incandescent lamps
- Drivers and electronic ballasts are universal voltage
- Integral junction box has 1/2" conduit knock-outs at each end and two in back
- Junction box is accessible from above and within housing for wiring before or after the fixture is in place
- cETLus listed for wet locations when specified.

#### Mounting

- Housing has adjustable hangers and two 18" mounting bars.



**C.W. Cole & Company, Inc.**  
2560 N. Rosemead Boulevard  
South El Monte, CA 91733-1593

Tel. (626) 443-2473  
Fax (626) 443-9253  
info@colelighting.com  
[www.colelighting.com](http://www.colelighting.com)