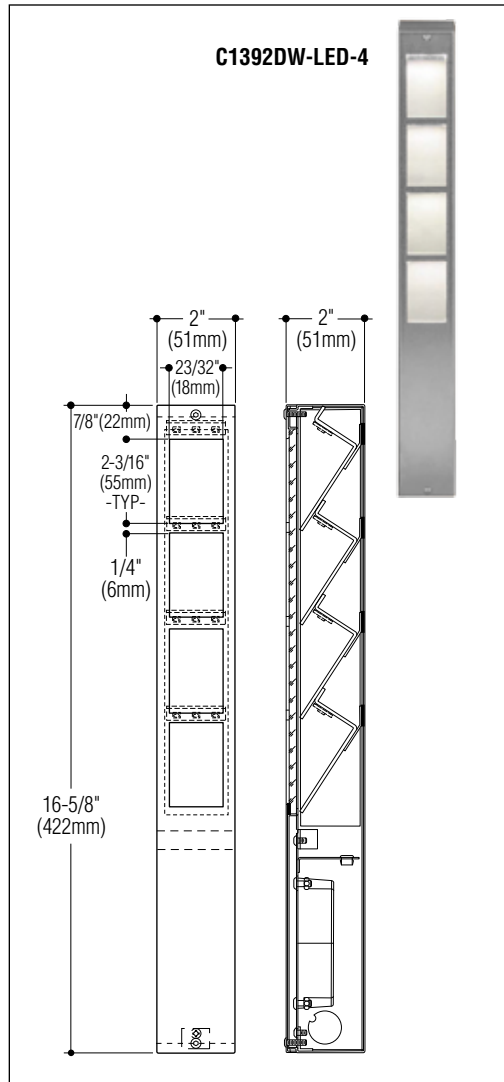
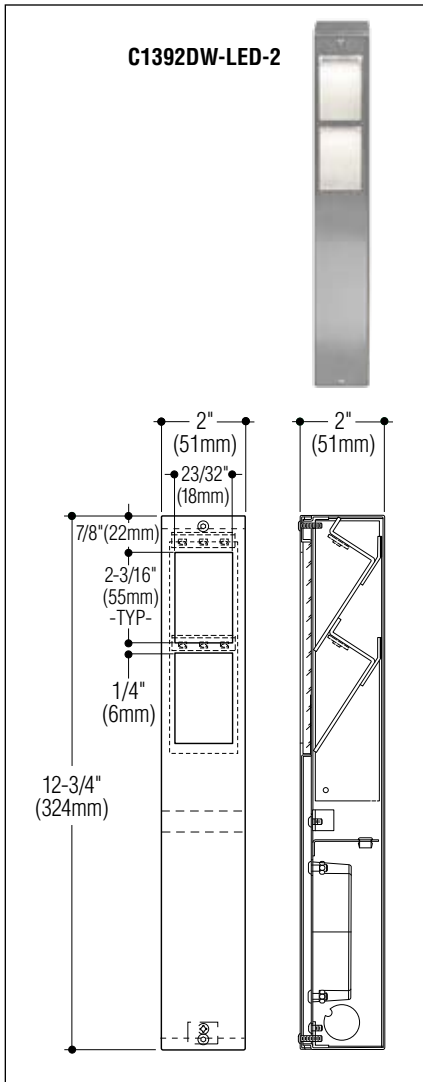


JOB NAME \_\_\_\_\_

Type \_\_\_\_\_

CATALOG NUMBER \_\_\_\_\_

Steplites



## C1392D SERIES Railite

### SPECIFICATIONS

#### Construction

- Housing is constructed from 20 gauge stainless steel or .050" aluminum
- Satin finish with passivation on exterior stainless steel surfaces or powder coat on aluminum surfaces
- Diffuser is 1/8" clear tempered glass
- Tamperproof screws provided
- cETLus listed for use in wet locations, in any wall construction
- Intended for mounting between pairs of vertical support posts via field-drilled mounting holes. Other mounting methods are available on request.

#### Electrical

- Fixture is wired for high performance LEDs
- Driver is universal voltage
- Provided with 1/2" knockout on either side

#### Mounting

Intended for mounting between pairs of vertical support posts via field-drilled mounting holes. Other mounting methods are available on request.

#### How to Specify

Select catalog number and add suffix(s) for desired options.

Catalog Number Lamp		Housing W & D	Housing Length	* OPTIONAL 1/2" KO'S AT BOTTOM
LED 1.5W, (126 lm @ 3000°K)	<input type="checkbox"/> C1392DW-LED-2	<input type="checkbox"/> 2" x 2"	<input type="checkbox"/> 12 3/4"	<input type="checkbox"/> 1
LED 3.6W, (215 lm @ 3000°K)	<input type="checkbox"/> C1392DW-LED-2-HO	<input type="checkbox"/> 2" x 2"	<input type="checkbox"/> 12 3/4"	<input type="checkbox"/> 1
LED 3.0W, (252 lm @ 3000°K)	<input type="checkbox"/> C1392DW-LED-4	<input type="checkbox"/> 2" x 2"	<input type="checkbox"/> 16 5/8"	<input type="checkbox"/> 1
LED 7.2W, (430 lm @ 3000°K)	<input type="checkbox"/> C1392DW-LED-4-HO	<input type="checkbox"/> 2" x 2"	<input type="checkbox"/> 16 5/8"	<input type="checkbox"/> 1

\* Optional 1/2" KO's at bottom assumes standard locknuts and side by side spacing  
Lumens shown are source. Photometric data can be downloaded at: [www.colelighting.com/downloads/1](http://www.colelighting.com/downloads/1)

### Options

#### Alternate housing dimensions:

Add suffix  -SP/ \_\_\_\_\_  
(dimensions).

#### Alternate shielding: Contact factory for options.

Add suffix  -OS.

Painted finish: Add suffix  -CC/ \_\_\_\_\_  
(color).

Frosted glass diffuser: Tempered. Add suffix  -FG

LED color: 4000°. Add suffix  -4K

Tamperproof screws: Socket head faceplate screws.  
Add suffix  -TP

Bottom knockout: 1/2" knockout at bottom in lieu of standard side knockouts (3" wide housing suitable for two knockouts). Add suffix  -BKO



C.W. Cole & Company, Inc.  
2560 Rosemead Boulevard  
South El Monte, CA 91733-1593

Tel. (626) 443-2473  
Fax (626) 443-9253  
info@colelighting.com  
[www.colelighting.com](http://www.colelighting.com)