

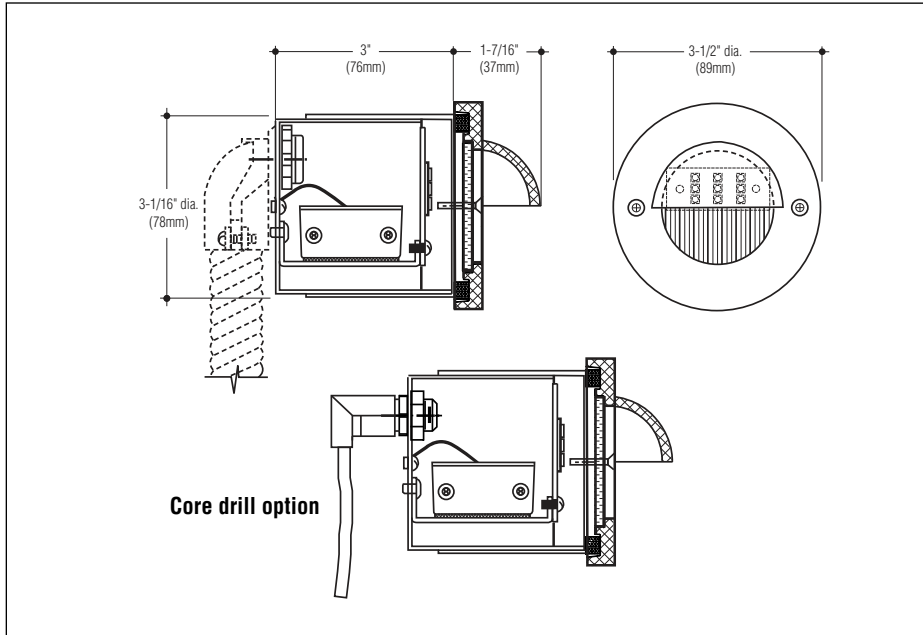
**JOB NAME** \_\_\_\_\_

**TYPE** \_\_\_\_\_

**CATALOG NUMBER** \_\_\_\_\_

## Steplites

### L131 SERIES



#### Description

This compact directional Steplite features high performance LEDs. It is appropriate in a variety of interior or exterior applications where low glare and cutoff performance is desired. The rugged construction, engineering excellence, and quality make this fixture ideal for specification in most public areas.

#### Construction

- Housing is 16 gauge spun steel suitable for concrete pour installation
- Housing coated in white polyester
- Cast aluminum eyelid faceplate with a metallic aluminum polyester finish, retained by stainless steel screws
- Clear ribbed spread lens set in silicone sealant
- Suitable for wet locations in any wall construction.

#### Electrical

- Fixture is wired with high performance LEDs
- Integral driver is 120V only and features ELV dimming capability
- One 1/2" conduit knockout provided on back of housing
- Core drilled versions include 6 ft. of 18/3 jacketed cord and weatherproof strain relief.

#### Mounting

Holes provided in back of housing for mounting.

#### Custom

If your project demands a special fixture we would be pleased to discuss the production of modified standard fixtures or custom fixtures to suit your specific conditions. For more information on our custom capabilities, please contact your local Cole representative.

#### Catalog Number

#### Lamp

LED 3.06W, (450 lm @ 3000°K)

L131W

Lumens shown are source.

Photometric data available for Steplites can be downloaded at: [www.colelighting.com/downloads/1](http://www.colelighting.com/downloads/1)

#### Options

**Core drill installation:** Supplied with 6 ft. 18/3 jacketed cord. Add suffix  **-CD**.

**LED color:** 4000°K (470 lm). Add suffix  **-4K**.

**Tamperproof screws:** Socket head faceplate screws. Add suffix  **-TP**.

**Bronze faceplate:** Satin finish, clear coated. Add suffix  **-B**.

**Alternate faceplate color:** Black or white. Add suffix  **-BLK** or  **-WHT**.

#### How to Specify

1. Select catalog number.
2. Add suffixes for options required to meet job conditions.

**COLE**  
*Lighting*

**C.W. Cole & Company, Inc.**  
2560 Rosemead Boulevard  
South El Monte, CA 91733-1593

Tel. (626) 443-2473  
Fax (626) 443-9253  
info@colelighting.com  
[www.colelighting.com](http://www.colelighting.com)