

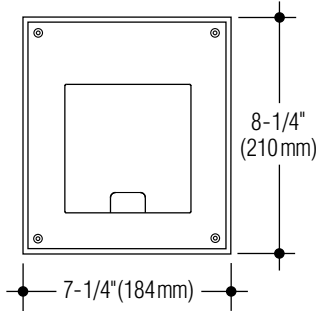
JOB NAME _____

TYPE _____

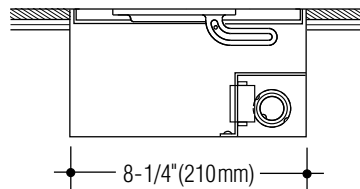
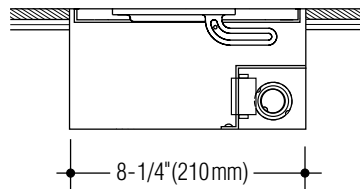
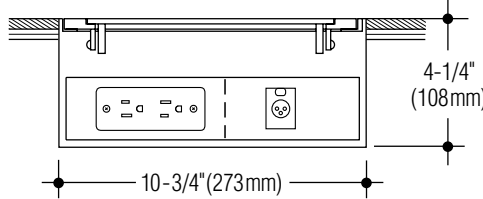
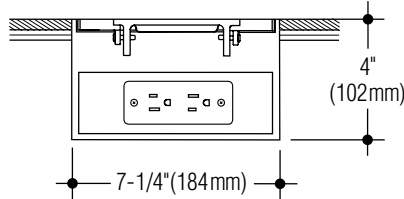
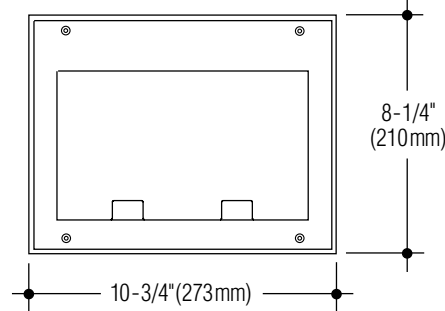
CATALOG NUMBER _____

Plugging Boxes
TLS362/TLS364
SERIES

TLS362



TLS364



Specifications

Construction

16 gauge electro-galvanized steel housing is black polyester coated, cast aluminum door and frame are black polyester coated • Device mounting plate is .063" aluminum

Electrical

Factory installed wiring devices are available as illustrated • TLS364 models, with multiple voltage devices, have metal interior barrier between compartments • Recessed housings have four 1/2", 3/4", 1" combination conduit knockouts • cETLus listed electrical Metallic Outlet Box

Mounting

Hardwood floors. Unit is designed to be recessed with no overlap. Particularly suitable for installation in existing floors. Unit flexes with floor.

How to Specify

1. Select catalog number with desired features.
2. Add suffixes for options required to meet job conditions.

Catalog Numbers

- Cast aluminum, non-skid tread design 7-1/8" x 8-1/8". Blank interior plate. **TLS362**
- Cast aluminum, non-skid tread design 10-5/8" x 8-1/8". Blank interior plate. **TLS364**

Installed Devices

- Duplex Receptacle:** 15 amp capacity.
- Ground Fault Circuit Interrupter:** Weather and tamper resistant receptacle.
- Phone/Ethernet:** Telephone or data connection in modular Decora® cutout.
- Standard cable connection interface:** Universal Serial Bus port.
- Audio/video interface:** High-definition multimedia interface.
- Microphone connector:** XLR 3-pole, jack, panel mount.
- Speaker connector:** XLR 4-pole, jack, panel mount.
- Customer specific:** Specify device or desired provisions.

Suffix

- DUP**
- GFCI**
- RJ11** or **-RJ45**
- USB**
- HDMI**
- MIC**
- SPKR**
- 9/** _____
(device or provisions)

Options

- Cast Bronze Cover:** Satin clear coated. Add suffix **-B**.
- Dust Cover:** Outlet covers. Add suffix **-D**.
- Finish Trim:** Brushed satin finish, clear coated. Add suffix **-FT**.

- Conduit holes:** Special or additional tapped holes in housing. Add suffix **-KO**.
- Custom color:** Contact factory. Add suffix **-CC**.



C.W. Cole & Company, Inc.
 2560 Rosemead Boulevard
 South El Monte, CA 91733-1593

Tel. (626) 443-2473
Fax (626) 443-9253
 info@colelighting.com
www.colelighting.com