

JOB NAME _____

TYPE _____

CATALOG NUMBER _____

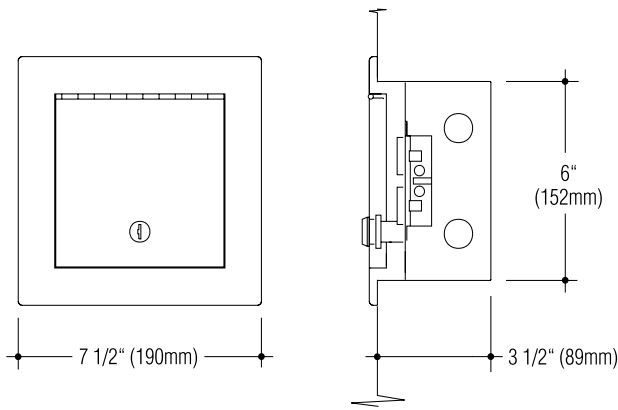
Plugging Box

**TL310 SERIES
Recessed Wall Box**

SPECIFICATIONS

Construction

- Gasketed doors and frames are cast aluminum, coated in metallic aluminum polyester, with stainless steel piano hinges, and locking or non-locking latches
- All units keyed alike
- Cover is gasketed weathertight
- Recessed housing is die-formed 16 gauge, electro-galvanized steel, coated in white polyester and suitable for installation in concrete pour
- Receptacle mounting plates and voltage barriers are .080" aluminum



Mounting area for devices: 4" x 4"

Catalog Numbers

Blank interior plate. No device furnished **TL310**

DEVICE OPTIONS

Ground Fault Circuit Interrupter: Weather resistant/tamper resistant receptacle.

Add suffix **-GFCI/WR/TR**

Phone/Ethernet: Telephone or data connection in modular Decora® cutout.

Add suffix **-RJ11** or **-RJ45**

Standard cable connection interface: Universal Serial Bus port. Add suffix **-USB**

Audio/video interface: High-definition multimedia interface. Add suffix **-HDMI**

Microphone connector: XLR 3-pole, jack, panel mount. Add suffix **-MIC**

Speaker connector: XLR 4-pole, jack, panel mount. Add suffix **-SPKR**

Customer specific: Specify device or desired provisions. Add suffix **-9/(_____)**
device or provisions

Electrical

- Factory installed wiring devices or combinations are available as illustrated
- Integrated voltage barrier is provided, allowing low and high voltage devices to be installed in one box
- Recessed housing has eight 1/2", 3/4", 1" combination conduit knockouts, four for each device compartment
- cETLus electrical Metallic Outlet Box listed for installation in wet locations

Mounting

- Interior or exterior stud wall or concrete pour

How to Specify

1. Select catalog number with desired features.
2. Add suffixes for options required to meet job conditions.

TL310 Device Capacity Chart						
-GFCI duplex w. circuit breaker	-RJ11 1-6 jacks per insert	-RJ45 1-6 jacks per insert	-USB 1-6 ports per insert	-HDMI 1-6 ports per insert	-SPKR single	-MIC single
Maximum inserts per housing = 2					= 6	
Mixed and matched quantities not to exceed total in any column.						

OPTIONS

Cast Bronze Cover: Satin finished red brass. Add suffix **-B.**

Concrete Mount: Add suffix **-C.**

No Key: Add suffix **-NK.**

Additional Conduit Entries: Specify size and locations. Add suffix **-K0.**

Custom Color: Contact factor. Add suffix **-CC**



C.W. Cole & Company, Inc.
2560 Rosemead Boulevard
South El Monte, CA 91733-1593

Tel. (626) 443-2473
Fax (626) 443-9253
info@colelighting.com
www.colelighting.com