

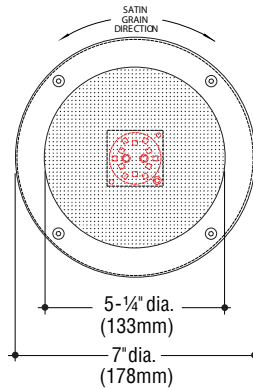
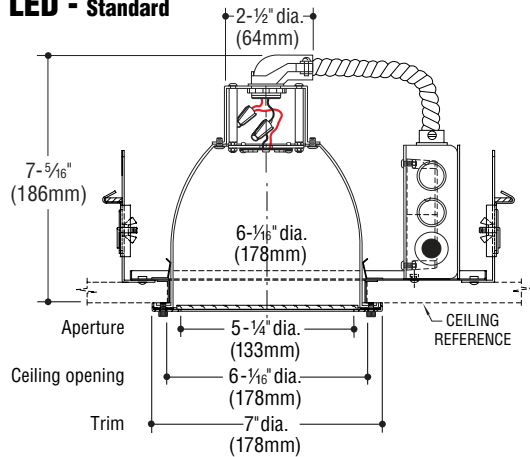
**JOB NAME** \_\_\_\_\_

**TYPE** \_\_\_\_\_

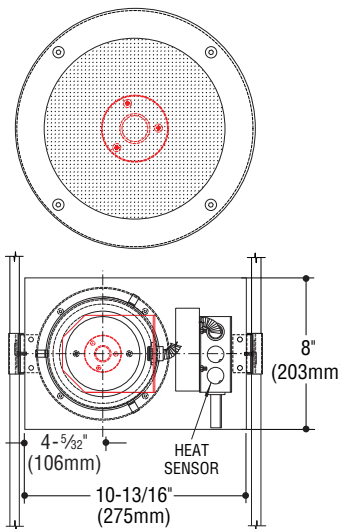
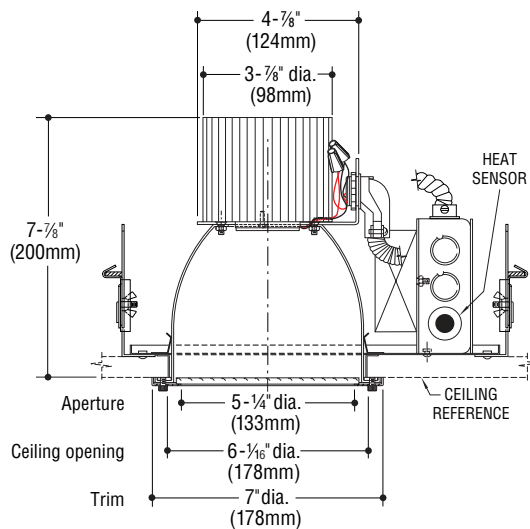
**CATALOG NUMBER** \_\_\_\_\_

**Downlites**

**LED - Standard**



**LED - High Output (-HO)**



**DL180 SERIES**

**SPECIFICATIONS**

**Construction**

- Semi specular reflector housing is spun aluminum
- Trim is spun 18 gauge satin stainless steel, gasketed and retained by four stainless steel tamperproof socket head cap screws
- Optional guard is 1/4" diameter stainless steel
- Shielding is opal glass.

**Electrical**

- Intergrated LEDs available in standard and high output
- Driver allows 120 thru 277V input
- cETLus listed for wet locations, when specified
- Suitable IC/non-IC ceiling construction.

**Mounting**

Housing has adjustable hangers and two 18" mounting bars.

**How to Specify**

1. Select catalog number with desired features.
2. Add suffixes for options required to meet job conditions.

**Catalog Numbers**

Lamps	No Guard	With Guard
One 13W LED, (2100 lumens at 3000°K)	<input type="checkbox"/> DL183	<input type="checkbox"/> DL181
One 29W LED, (3080 lumens at 3000°K)	<input type="checkbox"/> DL183-HO	<input type="checkbox"/> DL181-HO

Lumens shown are source. Photometric data available for Steplites upon request

**Options**

**Alternate finishes:**

- Satin brass with stainless steel guard  -SBR.
- Polished stainless steel  -PSS.

**Frosted glass diffuser:** Tempered.

Add suffix  -FG.

**LED colors:**

4000°K (1688 lm).Add suffix  -4K.

Amber\* (FWC compliant, 590 nm).

Add suffix  -AMB.

**Weatherproof:** IP 55 rated for exterior applications. Add suffix  -W.

**Emergency battery:** Provides up to 90 minutes of operation (Remote only). Add suffix  -EM.

**Dimming:** Universal voltage, 0-10V driver. Add suffix  -DIM.

**Remote power supply:** Recommended when used in saunas or spas (Includes damp location enclosure). Add suffix  -REM.

\* Not available in HO.



**C.W. Cole & Company, Inc.**  
 2560 N. Rosemead Boulevard  
 South El Monte, CA 91733-1593

Tel. (626) 443-2473  
 Fax (626) 443-9253  
 info@colelighting.com  
[www.colelighting.com](http://www.colelighting.com)