

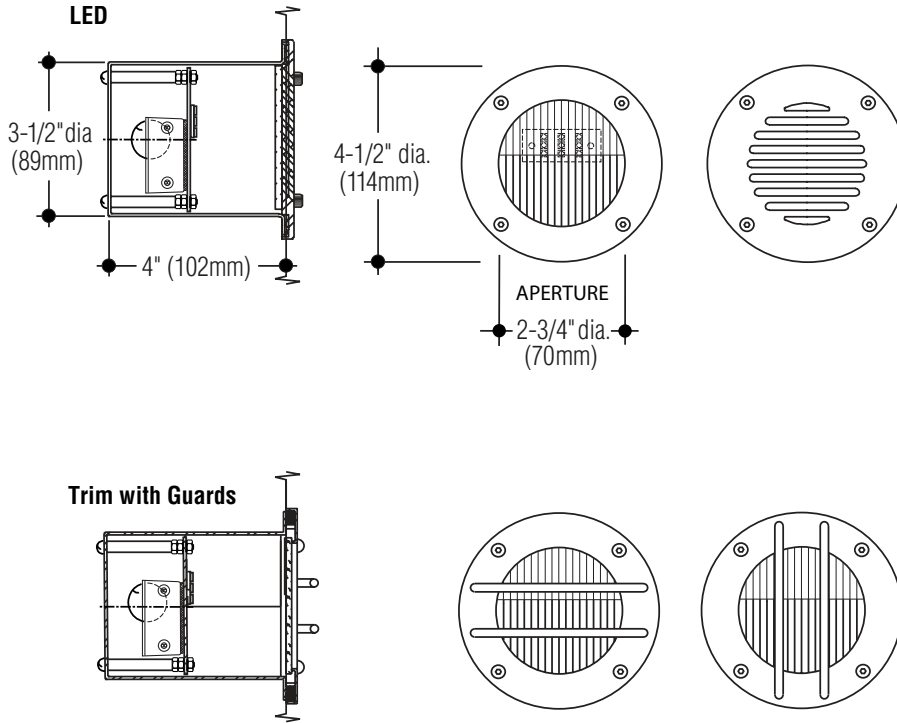
JOB NAME _____

TYPE _____

CATALOG NUMBER _____

Steplites

L280 SERIES



SPECIFICATIONS

Construction

- Housing is spun 16 gauge stainless steel suitable for concrete pour installation
- Spun stainless steel faceplates, passivated for maximum rust resistance, are gasketed and retained by four stainless steel tamperproof button-head fasteners
- I285V/H Guard is 3/16" diameter stainless steel
- Spread lens is vertically ribbed tempered glass set in silicone sealant
- cETLus listed, suitable for wet locations in any wall construction.

Electrical

- Fixture is wired with high performance LEDs
- LEDs are available in a variety of colors
- Integral universal driver is standard; 120V ELV dimming driver optional
- One 1/2" conduit knockout provided on each side of housing. Suitable for 4 wire thru-wiring, 2 in and 2 out.

Mounting

Housing has flanges with holes for mounting.

Catalog Number

Lamp	Vertical Guard	Horizontal Guard	Without Guard	Louver
LED 3.15W, (450 lm @ 3000°K)	<input type="checkbox"/> L285VW	<input type="checkbox"/> L285HW	<input type="checkbox"/> L286W	<input type="checkbox"/> L287W

Lumens shown are source.

Photometric data available for Steplites can be downloaded at: <https://www.colelighting.com/photometrics>

Options

Finishes: Polished stainless steel trim.

Add suffix **-PSS**.

Satin brass trim. Add suffix **-SBR**.

Opal glass diffuser: Tempered.

Add suffix **-OPL**.

Frosted glass diffuser: Tempered. Add suffix **-TG**.

Dimming: ELV dimming driver (120V only)

Add suffix **-DIM**.

LED colors:

4000°K (470 lm). Add suffix **-4K**.

Blue Add suffix **-BLU**.

Amber:

Amber. Add suffix **-AMB**;

Amber 590 nm (FWC compliant).

Add suffix **-AMB/590**

How to Specify

1. Select catalog number with desired features.
2. Add suffixes for options required to meet job conditions.



C.W. Cole & Company, Inc.
 2560 Rosemead Boulevard
 South El Monte, CA 91733-1593

Tel. (626) 443-2473

Fax (626) 443-9253

info@colelighting.com

www.colelighting.com