

JOB NAME \_\_\_\_\_

TYPE \_\_\_\_\_

CATALOG NUMBER \_\_\_\_\_

**Steplites  
L2100 SERIES**

**SPECIFICATIONS**

**Construction**

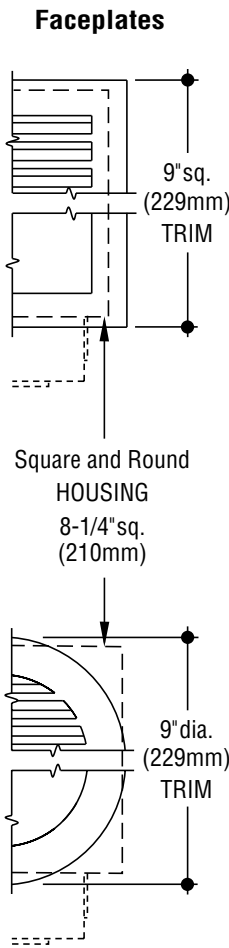
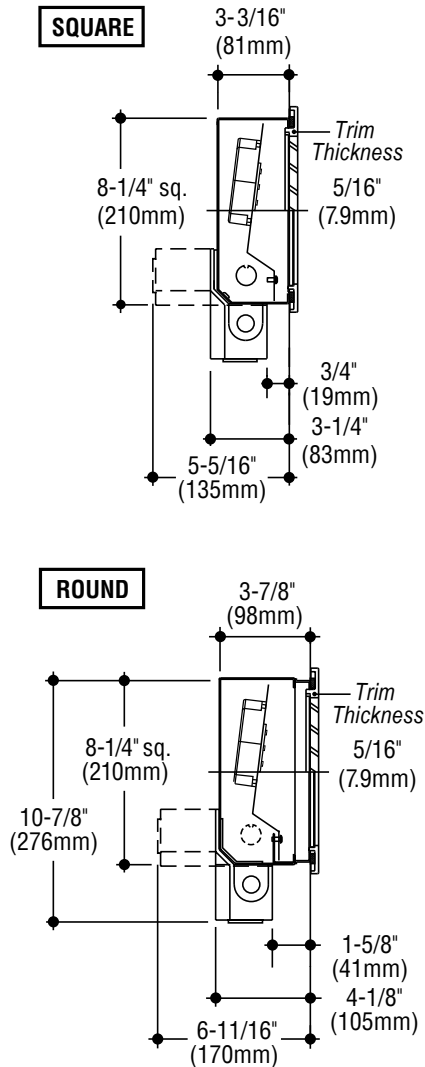
• Fixture housing, suitable for concrete pour, is constructed from die-formed 16 gauge electro-galvanized steel and is coated with white polyester • Faceplate is cast aluminum, coated with metallic aluminum polyester, and is gasketed and retained by stainless steel screws • Diffuser is frosted tempered glass set in silicone sealant • Reflector is constructed of die-formed white aluminum • Optional junction box is cast aluminum with polyester coating • 2100 Series is cETLus listed suitable for wet locations in any wall construction.

**Electrical**

• High performance LEDs are available in a variety of colors • Integral driver is standard universal voltage; optional 0-10v dimming driver available • Housing provided with 1/2" conduit knockout on each side suitable for 4 wire thru-wiring, 2 in and 2 out • Optional junction box allows 8 wire thru-wiring, 4 in and 4 out. Provided with one 1/2" tapped conduit entrance in the bottom and one 1/2" conduit entrance in each side.

**Mounting**

Housing has flanges with holes for mounting.



Catalog Numbers	Faceplate			
	9" dia./Louver	9" dia./Non-Louver	9" sq./Louver	9" sq./Non-Louver
Lamps	<input type="checkbox"/> L2100RW	<input type="checkbox"/> L2100RGW	<input type="checkbox"/> L2100SW	<input type="checkbox"/> L2100SGW
LED 9.45W, (1350 lm @ 3000°K)				

Lumens shown are source. Photometric data available for Steplites can be downloaded at: <https://www.colelighting.com/photometrics>

**Options**

**Junction box:** Bottom or back mounted as required for feed-thru. Add suffix  -J.

**Cast bronze faceplate:** Satin finished, clear coated. Add suffix  -B.

**Tamperproof screws:** Socket head faceplate screws. Add suffix  -TP.

**Alternate faceplate color:** Black or white. Add suffix  -BLK or  -WHT.

**Opal glass diffuser:** Tempered. Add suffix  -OPL

**Voltage:** 277V LED Driver. Add suffix  -277.

**Emergency battery (4 Watt):** Provides up to 90 minutes operation. Add suffix  -EM.

**Dimming:** Universal voltage; 0-10V driver. Add suffix  -DIM.

**LED colors:**

**4000°K** (1410 lm). Add suffix  -4K.

**Blue.** Add suffix  -BLU.

**Amber.** Add suffix  -AMB.

**Amber 590.** (590 nm, FWC compliant). Add suffix  -AMB/590.

**How to Specify**

1. Select catalog number with desired features.
2. Add suffixes for options required to meet job conditions.



**C.W. Cole & Company, Inc.**  
2560 Rosemead Boulevard  
South El Monte, CA 91733-1593

Tel. (626) 443-2473  
Fax (626) 443-9253  
info@colelighting.com  
[www.colelighting.com](http://www.colelighting.com)