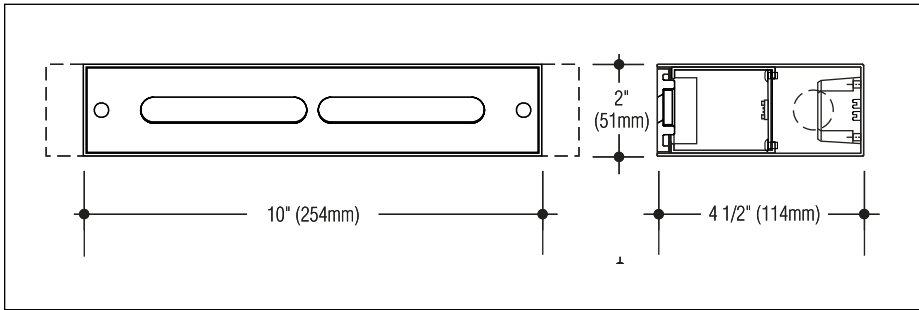


**JOB NAME** \_\_\_\_\_

**Type** \_\_\_\_\_

**CATALOG NUMBER** \_\_\_\_\_

**Steplites**



**L159 SERIES**

**SPECIFICATIONS**

**Construction**

• Fixture is constructed from die-formed 18 gauge stainless steel • Faceplate is cast aluminum with metallic aluminum polyester coating, gasketed and retained by stainless steel screws • Diffuser is frosted tempered glass set in silicone sealant • cETLus listed, suitable for wet locations, in any wall construction.

**Electrical**

• Fixture is wired with standard or high performance LEDs • Integral driver is standard universal voltage driver; optional 0-10 dimming driver • One 1/2" conduit knockout provided on each side of housing, suitable for 4 wire hru-wiring, 2 in 2 out.

**Mounting**

Housing has flange with holes for mounting.

**Catalog Number**

**Lamp**

LED 1.5W, (126 lm @ 3000°K)

**L159W**

LED 3.4W, (331 lm @ 3000°K)

**L159W-HO**

Lumens shown are source.

Photometric data available for Steplites can be downloaded at: <https://www.colelighting.com/photometrics>

**Options**

**Cast Bronze faceplate:** Satin finish, clear coated. Add suffix  **-B**.

**Tamperproof screws:** Socket head faceplate screws. Add suffix  **-TP**.

**Opal glass diffuser:** Tempered. Add suffix  **-OPL**.

**Dimming:** Universal voltage, 0-10V driver. Add suffix  **-DIM**.

**Alternate faceplate color:**

Black, white or custom color.

Add suffix  **-BLK**,  **-WHT** or  **-CC**.

**LED colors:**

**4000°K** (146 lm), -HO (384 lm). Add suffix  **-4K**.

**Amber** (FWC compliant, 590nm). Add suffix  **-AMB**.

**Blue** Add suffix  **-BLU**.

**How to Specify**

1. Select catalog number.
2. Add suffixes for options required to meet job conditions.



**C.W. Cole & Company, Inc.**  
 2560 Rosemead Boulevard  
 South El Monte, CA 91733-1593

Tel. (626) 443-2473  
 Fax (626) 443-9253  
 info@colelighting.com  
[www.colelighting.com](http://www.colelighting.com)