

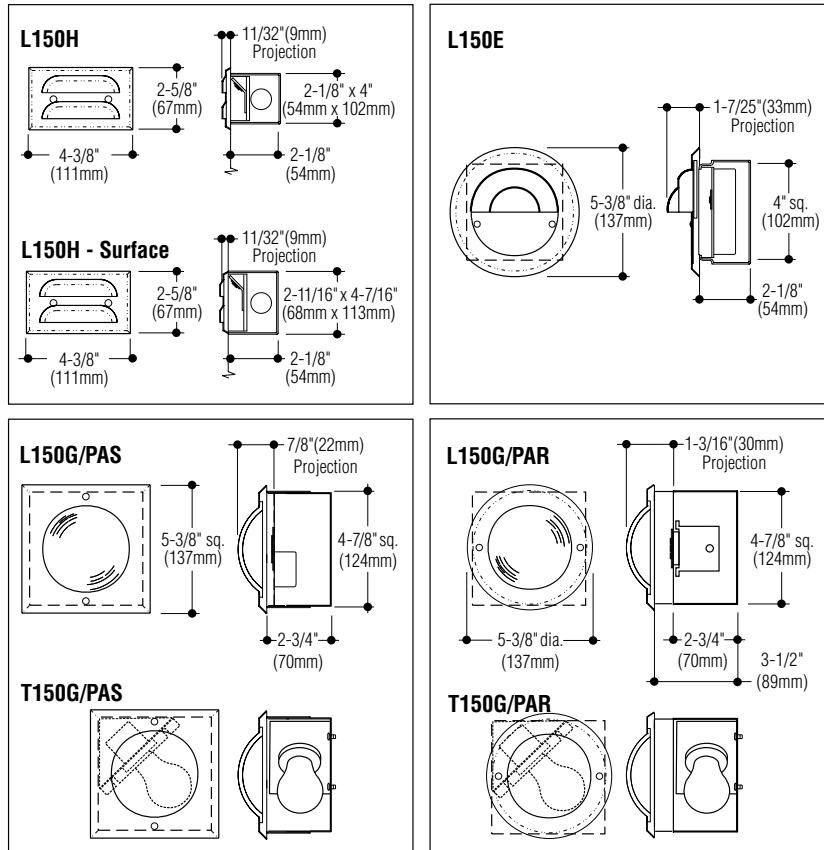
**JOB NAME** \_\_\_\_\_

**TYPE** \_\_\_\_\_

**CATALOG NUMBER** \_\_\_\_\_

## Steplites

### 150 SERIES



#### SPECIFICATIONS

##### Construction

- Faceplate is die-formed 20 gauge steel with white polyester coating, retained by stainless steel pan-head screws
- L150H and L150E utilize standard electrical junction boxes as housings
- 150G and 150G/PA have 18 gauge electro-galvanized steel housing with white polyester coating
- SL150H has 18 gauge electro-galvanized steel housing with black polyester coating
- Faceplate is gasketed for light leak
- L150E and L150H diffuser is clear/frosted acrylic
- Reflector is constructed of white die-formed aluminum
- cETLus listed, suitable for installation in any wall construction fixture
- Suitable for damp locations.

##### Electrical

- Fixture is wired for either LED modules or one E26/medium base socket for 150G/PA models
- Integral universal voltage driver is standard; 0-10V remote dimming driver optional
- Fixtures featuring thru-wire capability: 2 wires in, 2 wires out. Housing provided with 1/2" conduit on each side
- 150G/PA models with blue diffuser meet Pennsylvania fire extinguisher code 50.71

##### Mounting

Housing has holes for mounting.

##### How to Specify

1. Select catalog number with desired features.
2. Add suffixes for options required to meet job conditions.

Lamp	Faceplate	
LED .75W, (63 lm @ 3000°K)	Rectangular with louver, clear/frosted diffuser	<input type="checkbox"/> <b>L150H</b>
LED .75W, (63 lm @ 3000°K)	Rectangular with louver, clear/frosted diffuser	<input type="checkbox"/> <b>SL150H**</b>
LED 3.15W, (450 lm @ 3000°K)	Rectangular with louver, clear/frosted diffuser	<input type="checkbox"/> <b>L150H-HO</b>
LED 3.15W, (450 lm @ 3000°K)	Rectangular with louver, clear/frosted diffuser	<input type="checkbox"/> <b>SL150H-HO**</b>
LED 3.15W, (450 lm @ 3000°K)	Round with "eyelid", clear/frosted diffuser	<input type="checkbox"/> <b>L150E</b>
LED 3.15W, (450 lm @ 3000°K)	Square with round (choice of color) diffuser	<input type="checkbox"/> <b>L150G/PAS</b> -(diffuser)
LED 3.15W, (450 lm @ 3000°K)	Round (choice of color) diffuser	<input type="checkbox"/> <b>L150G/PAR</b> -(diffuser)
One E26/medium base lamp	Square with round (choice of color) diffuser	<input type="checkbox"/> <b>T150G/PAS</b> -(diffuser)
One E26/medium base lamp	Round (choice of color) diffuser	<input type="checkbox"/> <b>T150G/PAR</b> -(diffuser)

Lumens shown are source.

Photometric data available for steplites can be downloaded at:

\*\* Surface fixture

<https://www.colelighting.com/photometrics>

#### Options

##### LED colors:

4000°K (470 lm), 150H (.66 lm). Add suffix  **-4K**.

Amber. Add suffix  **-AMB\***,

Blue. Add suffix  **-BLU**.

**Remote driver:** Remote driver(s) and enclosures.

Add suffix  **-REM\***.

##### Dimming:

Integral 120V only; uses 3.15W LED

Add suffix  **-DIM/ELV\***.

Remote 0-10V; requires (-REM) remote driver

Add suffix  **-DIM/0-10V\***.

**Tamperproof screws:** Socket head faceplate screws.

Add suffix  **-TP**.

**Flasher:** Add suffix  **-FL**.

**Voltage:** 277V driver, universal voltage.

Add suffix  **-277\***.

**Stainless steel faceplate:** (except L150E)

Add suffix  **-N**.

**Alternate faceplate color:** Black, White or metallic aluminum. Add suffix  **-BLK** or  **-ALU**.

**Antimicrobial white paint:** Resist microbial growth. Add suffix  **-AM**.

**Diffuser color:** White, red, blue, and green

(150G only). Add suffix  **-WHT**,  **-RED**,

**-BLU** or  **-GRN**.

\*Not available on any E26 med. base fixtures



**C.W. Cole & Company, Inc.**  
 2560 Rosemead Boulevard  
 South El Monte, CA 91733-1593

Tel. (626) 443-2473

Fax (626) 443-9253

info@colelighting.com

[www.colelighting.com](http://www.colelighting.com)