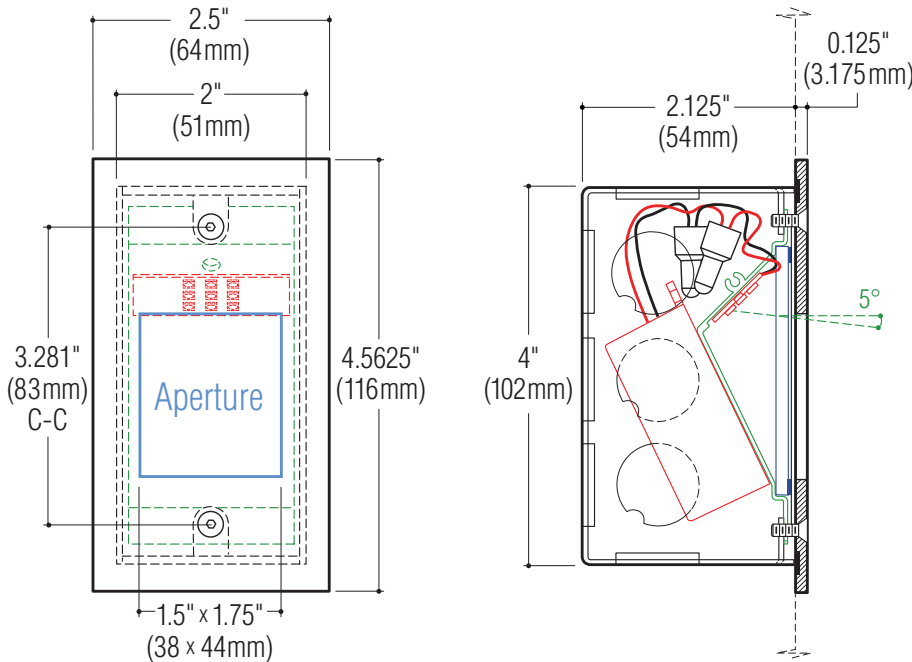


JOB NAME _____

Type _____

CATALOG NUMBER _____

Steplites
L111 SERIES



FRONT VIEW

SIDE - SECTION

SPECIFICATIONS

Construction

- Furnished with a galvanized steel RACO® (Cat.# 670RAC) or equal, single-gang box
- Faceplates are 1/8" thick • Aluminum faceplates are with a white polyester finish; Stainless steel are satin finished, passivated for maximum rust resistance
- Fixtures are furnished with stainless steel socket head tamperproof screws
- Diffuser is clear tempered glass, set in silicone sealant
- Internal baffle is coated matte black to minimize LED glare
- cETLus listed and suitable for wet locations.

Electrical

- Fixture is wired with high performance LEDs available in a variety of colors
- Integral universal voltage driver
- Available with ELV dimming capability; 120V only
- Housing provided with multiple 1/2" conduit knockouts.

Mounting

Housing has holes for mounting.

How to Specify

1. Select catalog number with desired features.
2. Add suffixes for options required to meet job conditions.

Catalog Number	Faceplate	
Lamp	Aluminum	Stainless Steel
LED 3.15W, (450 lm @ 3000°K) <small>Lumens shown are source. Photometric data available for Steplites can be downloaded at: https://www.colelighting.com/photometrics</small>	<input type="checkbox"/> L111W-AL	<input type="checkbox"/> L111W-N

Options

LED colors:

2700°K (437 lm). Add suffix -27K

4000°K (470 lm). Add suffix -4K

Amber. Add suffix -AMB

590nm Amber. (FWC compliant) Add suffix -AMB/590

Blue. Add suffix -BLU

Voltage: 277V driver, non-dimming. Add suffix -277 (Increases housing depth to 3.5").

Dimming: ELV dimming driver (120V only). Add suffix -DIM

Frosted glass diffuser: Tempered. Add suffix -FG

Bronze trim: Satin finished, clear coated. Add suffix -B

Alternate trim color ("AL" only):

Metallic silver aluminum. Add suffix -ALU

Black. Add suffix -BLK

Custom color or finish (consult factory for choices). Add suffix -CC

Antimicrobial white paint: Coating that resists microbial growth. Add suffix -AM



C.W. Cole & Company, Inc.
2560 Rosemead Boulevard
South El Monte, CA 91733-1593

Tel. (626) 443-2473
Fax (626) 443-9253
info@colelighting.com
www.colelighting.com