

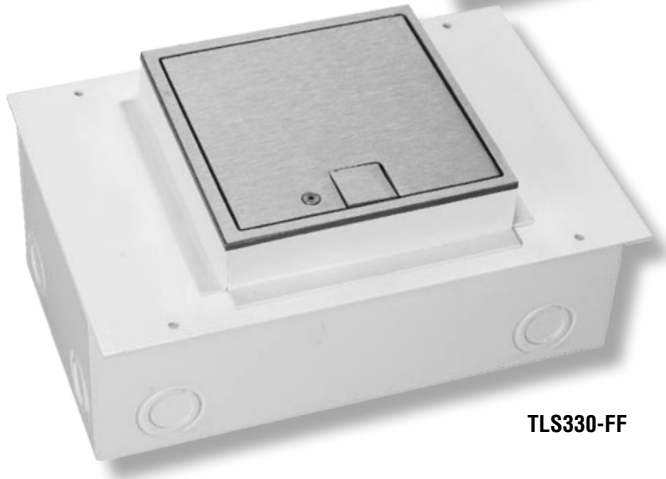
Plugging Boxes

Interior Applications

Mounting area
for devices:
5-3/8"W x 3-3/4"H
on each side.



TLS330-B



TLS330-FF

TLS330 SERIES

Description

The TLS330 Series Plugging Boxes are recessed floor mounted enclosures designed for the temporary connection of electrical devices in interior concrete pour installations where a minimal size is required.

Features

Cover opens to provide access to devices. Cord slot allows door to remain closed with cord connected. When cover is closed, a separate inner cover closes the cord slot. Separate wiring compartments allow high voltage devices on one side, low voltage devices on the other.

Applications

The TLS330 Series Plugging Boxes are for installation in schools, churches, offices, civic buildings, and other locations for the connection of lighting, sound and service appliance equipment.

Custom

If your project demands a special fixture we would be pleased to discuss the production of custom fixtures to suit your specific conditions. For more information on our custom capabilities, please contact your local Cole representative.



An inner door closes the cord slot when the TLS330 Series is not in use.



Simultaneous use of multiple receptacles.



C.W. Cole & Company, Inc.
2560 Rosemead Boulevard
South El Monte, CA 91733-1593

Tel. (626) 443-2473
Fax (626) 443-9253
info@colelighting.com
www.colelighting.com

Plugging Boxes

TLS330 SERIES

SPECIFICATIONS

Construction

- Frame and door are cast aluminum with natural satin finish
- Housing and interior panel are 16 gauge steel with white polyester coating
- Frame has integral flange for carpet; optional flangeless frame is available
- Inner hinged cover closes cord slot when not in use

Electrical

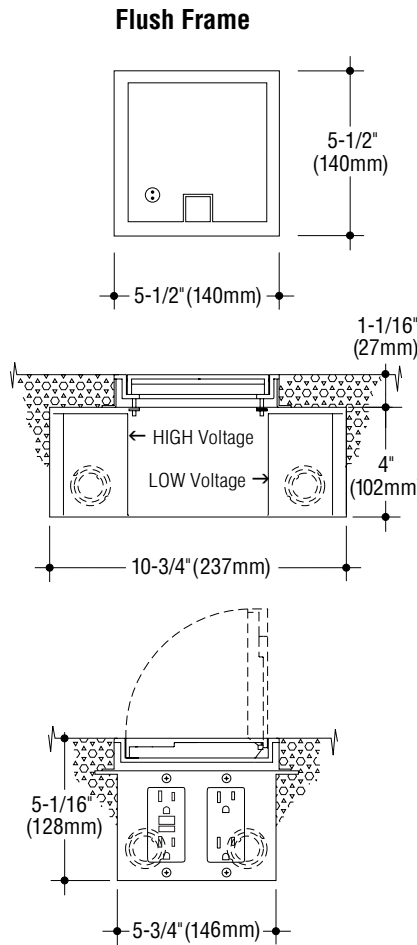
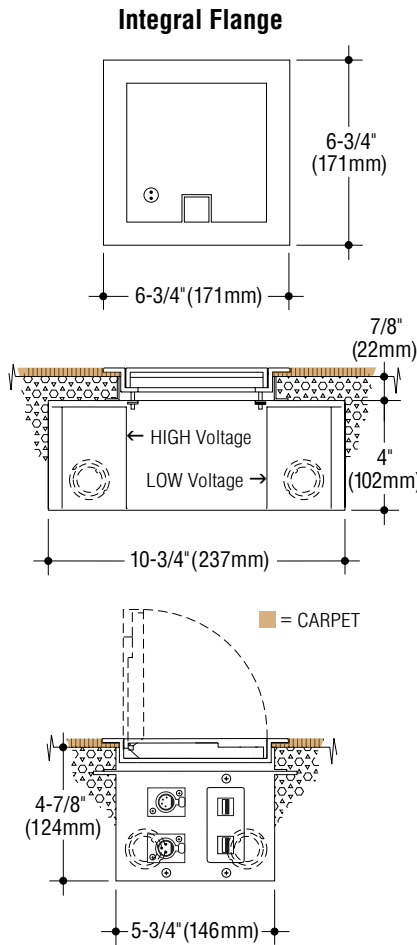
- Interior panels are provided blank to allow contractor to install required devices; can be provided with specified devices factory-installed
- Housing has two 1/2"-3/4"-1" combination trade size conduit entrances in each end
- Separation barrier is required if high and low voltages are present in same interior panel
- cETLus listed electrical Metallic Outlet Box

Mounting

Housing is designed for installation in poured concrete floors.

How to Specify

1. Select catalog number with option suffix(es).
2. Specify electrical devices if factory installation is desired.
3. Indicate special conduit feed locations if required.



Mounting area for devices: 5-3/8"W x 3-3/4"H on each side

Catalog Number

TLS330

Device Options

Duplex Receptacle: Dual plug 15-amp rcpt. Add suffix **-DUP**

Ground Fault Circuit Interrupter: Weather resistant/tamper resistant 20-amp rcpt. Add suffix **-GFCI**

Duplex/Cable Receptacle: Combo dual plug 15-amp rcpt., and 2 USB ports. Add suffix **-DUP/USB**

Phone/Ethernet: Telephone or data connection in modular cutout. Add suffix **-RJ11** or **-RJ45**

Standard cable connection interface: Universal Serial Bus port. Add suffix **-USB**

Audio/video interface: High-definition multimedia interface. Add suffix **-HDMI**

Microphone connector: XLR 3-pole, jack, panel mount. Add suffix **-MIC**

Speaker connector: XLR 4-pole, jack, panel mount. Add suffix **-SPKR**

Customer specific: Specify device or desired provisions. Add suffix **-9/(device or provisions)**

Options

Bronze: Frame and doors are satin finished cast red brass. Add suffix **-B**.

Flush Frame: Provides flangeless frame (5-3/4" x 5-3/4") for non-carpeted floors. Add suffix **-FF**

TLS330 Device Capacity Chart

Icon	Icon	Icon	Icon	Icon	Icon	Icon	Icon	Icon
-DX duplex	-GFCI duplex w. circuit breaker	-DXUSB duplex w. USB ports	-RJ11 1-6 jacks per insert	-RJ45 1-6 jacks per insert	-USB 1-6 ports per insert	-HDMI 1-6 ports per insert	-SPKR single	-MIC single
Maximum inserts per housing = 4							= 8	
Mixed and matched quantities not to exceed total in any column.								



C.W. Cole & Company, Inc.
2560 Rosemead Boulevard
South El Monte, CA 91733-1593

Tel. (626) 443-2473

Fax (626) 443-9253

info@colelighting.com

www.colelighting.com