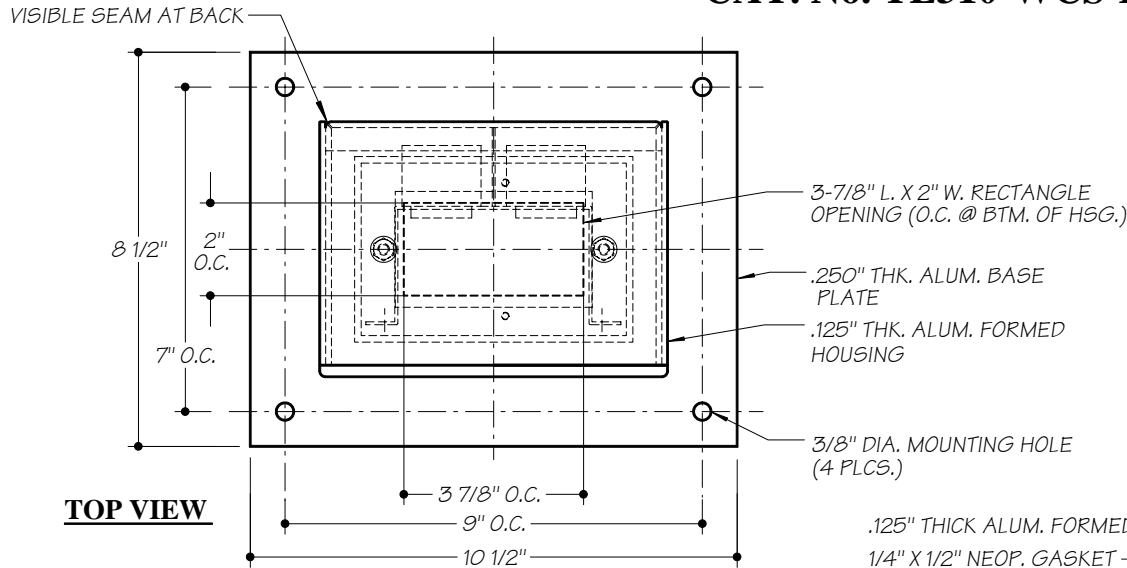


# Installation Instruction Sheet

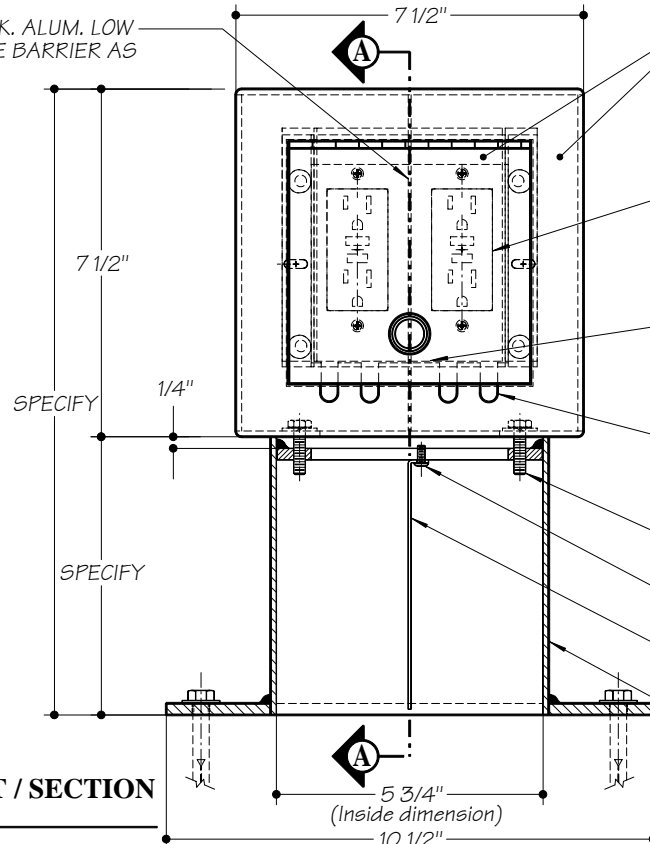
## CAT. No. TL310-WCS-PED

### INSTALLATION INSTRUCTIONS

1. TURN OFF ALL ELECTRICAL POWER TO FIXTURE PRIOR TO ASSEMBLY.
2. PLACE FIXTURE OVER ELECTRICAL POWER SUPPLY AND MOUNT BASE TO SURFACE WITH (4) 5/16"-18 x 4" L. S.S. SLEEVE ANCHOR BOLT & FLAT, SUPPLIED. (3/8" DIA. HOLE X 4" MIN. DRILL DEPTH)
3. OPEN CAST ALUM. DOOR AND DETACH (2 PC.) CAST ALUM. COVER SET ASSEMBLY BY REMOVING (4) 8-32 X 1-1/4" SCREWS SUPPLIED.
4. UNFASTEN (2) 8-32 X 1/4" SCREWS PROVIDED AND REMOVE ALUM. RECEPTACLE PLATE.
5. BRING ELECTRICAL WIRES INTO HOUSING AND MAKE WIRE CONNECTIONS TO RECEPTACLES ON ALUM. RECEPTACLE PLATE.
6. FASTEN ALUM. RECEPTACLE PLATE BACK INTO HOUSING USING (2) 8-32 X 1/4" SCREWS PREVIOUSLY REMOVED.
7. REATTACH (2 PC.) CAST ALUM. COVER SET ASSEMBLY TO HOUSING WITH (4) 8-32 X 1-1/4" SCREWS SUPPLIED.
8. TURN ON POWER TO FIXTURE.



.063" THK. ALUM. LOW VOLTAGE BARRIER AS REQ'D.



**NOTE:**

"THIS PRODUCT MUST BE INSTALLED IN ACCORDANCE WITH THE APPLICABLE INSTALLATION CODE BY A PERSON FAMILIAR WITH THE CONSTRUCTION AND OPERATION OF THE PRODUCT AND THE HAZARDS INVOLVED".

