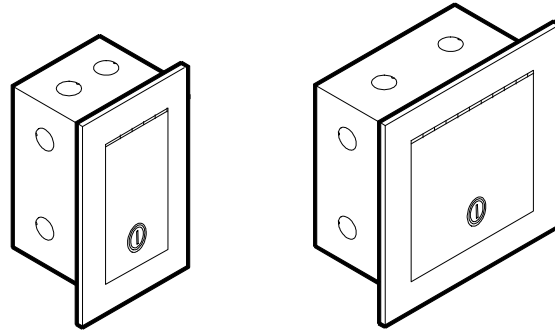


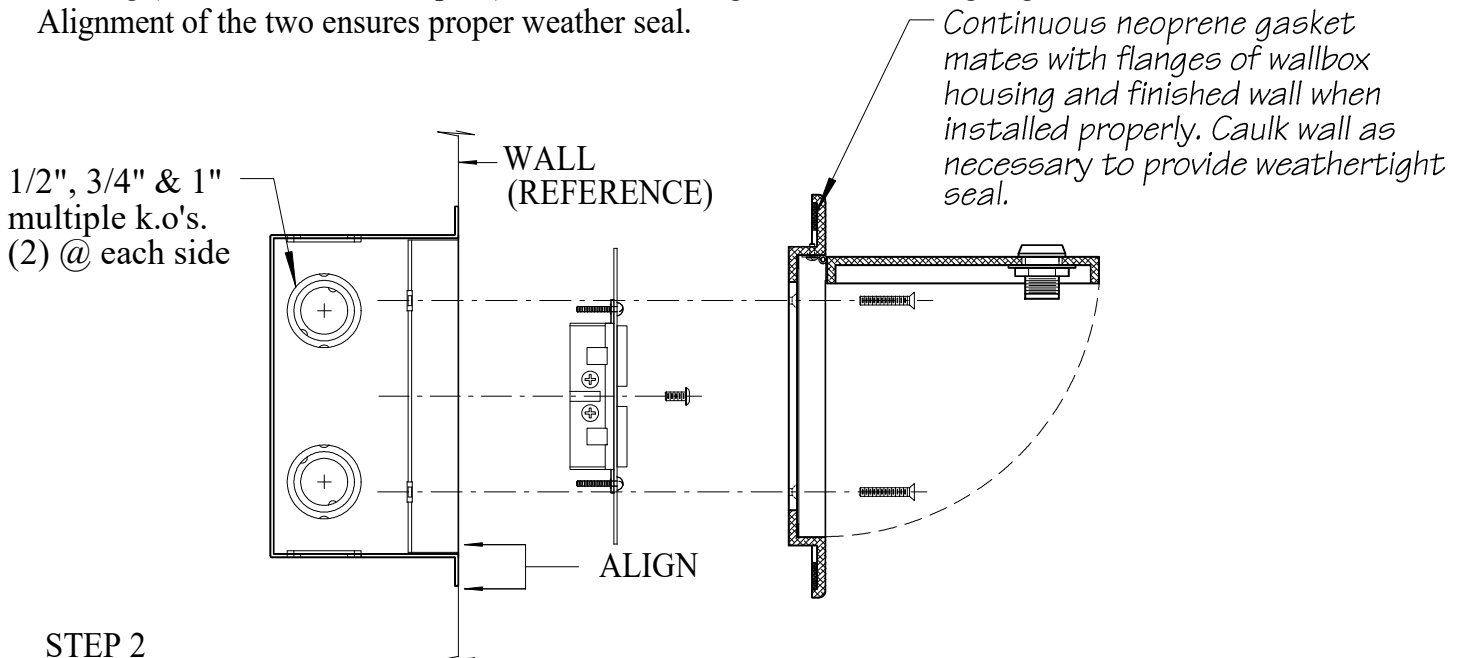
Installation Instruction Sheet

TL-210 / TL-310 SERIES



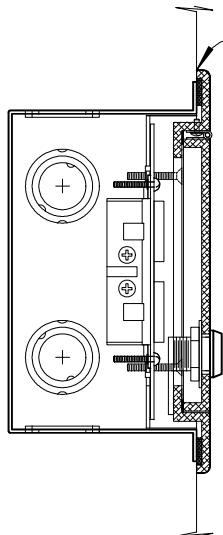
STEP 1

Remove cast alum. cover set & receptacle plate. Bring supply wires through desired entrance. Install 16 ga. steel housing (suitable for concrete pour) into wall ensuring that front housing aligns with finished wall surface. Alignment of the two ensures proper weather seal.



STEP 2

Ensure that power to unit is off. Splice supply wires with receptacles. Replace wired receptacle plate and fasten in place. Mount finished cast alum. cover set to housing using (4) factory supplied stainless steel 8-32 X 1-1/4" flat head phillips m./ screws.



CAULK AROUND PERIMETER OF DOOR FRAME FOR WEATHERTIGHT SEAL.

NOTE:

- * THIS PRODUCT MUST BE INSTALLED IN ACCORDANCE WITH THE APPLICABLE INSTALLATION CODE BY A PERSON FAMILIAR WITH THE CONSTRUCTION AND OPERATION OF THE PRODUCT AND THE HAZARDS INVOLVED.
- * CONTACT WITH ACID-WASH OF ANY TYPE TO ANY SURFACE OF PLUG. BOX WILL/MAY VOID WARRANTY.
- * RECESSED HOUSING NOT SEALED FROM MOISTURE THROUGH WALL. IF NECESSARY, PROTECTION MUST BE PROVIDED TO PREVENT WATER FROM ENTERING HOUSING INSIDE OF WALL.