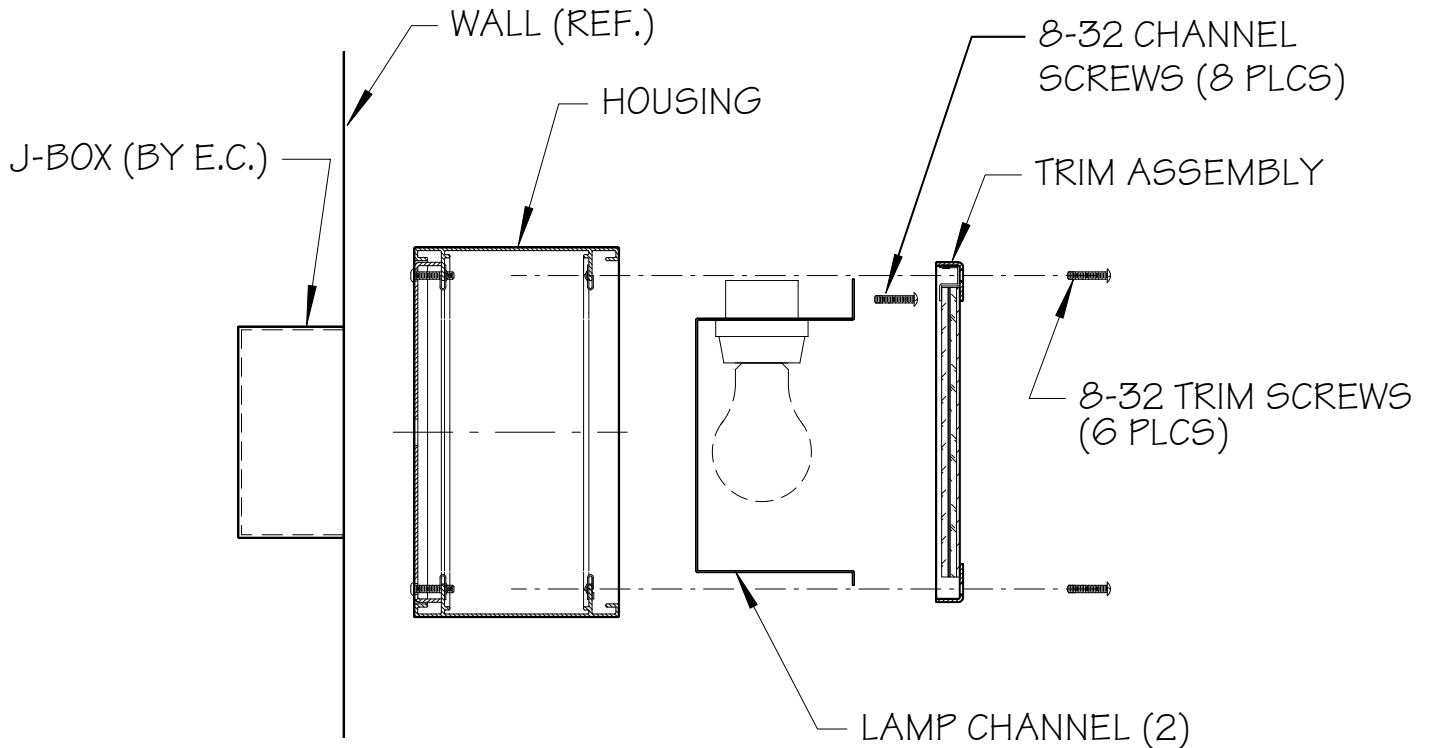


OPEN / CLOSED SIGN INSTRUCTIONS

CATALOG NO.:S351-W



1. Turn off electrical power supplied to fixture
2. Remove (6) 8-32 button hd. soc. cap screws to remove trim assembly.
3. Remove (8) 8-32 pan hd. phillips m. screws to remove lamp channels.
4. Attach housing to j-box using (2) 8-32 screws (by E.C.)
5. Make electrical wire connections to lamp channels. Note that the lamp channels are wired to separate circuits.
6. After completing wire connections, and mounting the housing, Re-install the lamp channels previously removed.
7. Re-attach trim assembly.

NOTE:

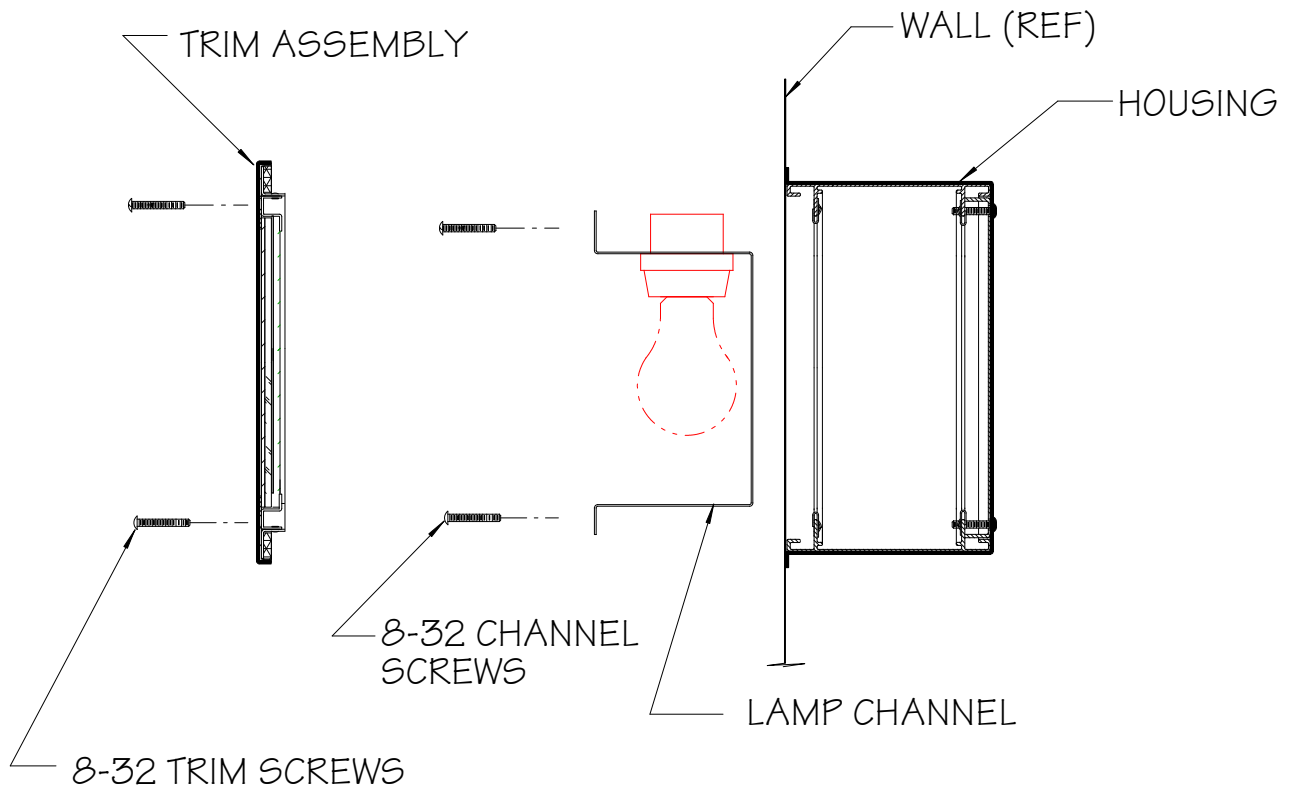
"THIS PRODUCT MUST BE INSTALLED IN ACCORDANCE WITH THE APPLICABLE INSTALLATION CODE BY A PERSON FAMILIAR WITH THE CONSTRUCTION AND OPERATION OF THE PRODUCT AND THE HAZARDS INVOLVED".

REVISIONS

3/17/05

OPEN / CLOSED SIGN INSTRUCTIONS

CATALOG NO.:S355-R



1. Turn off electrical power supplied to fixture
2. Remove (6) 8-32 button hd. soc. cap screws to remove trim assembly.
3. Remove (8) 8-32 pan hd. phillips m. screws to remove lamp channels.
4. Make electrical wire connections to lamp channels. Note that the lamp channels are wired to separate circuits.
5. After completing wire connections, and mounting the housing, Re-install the lamp channels previously removed.
6. Re-attach trim assembly.

NOTE:

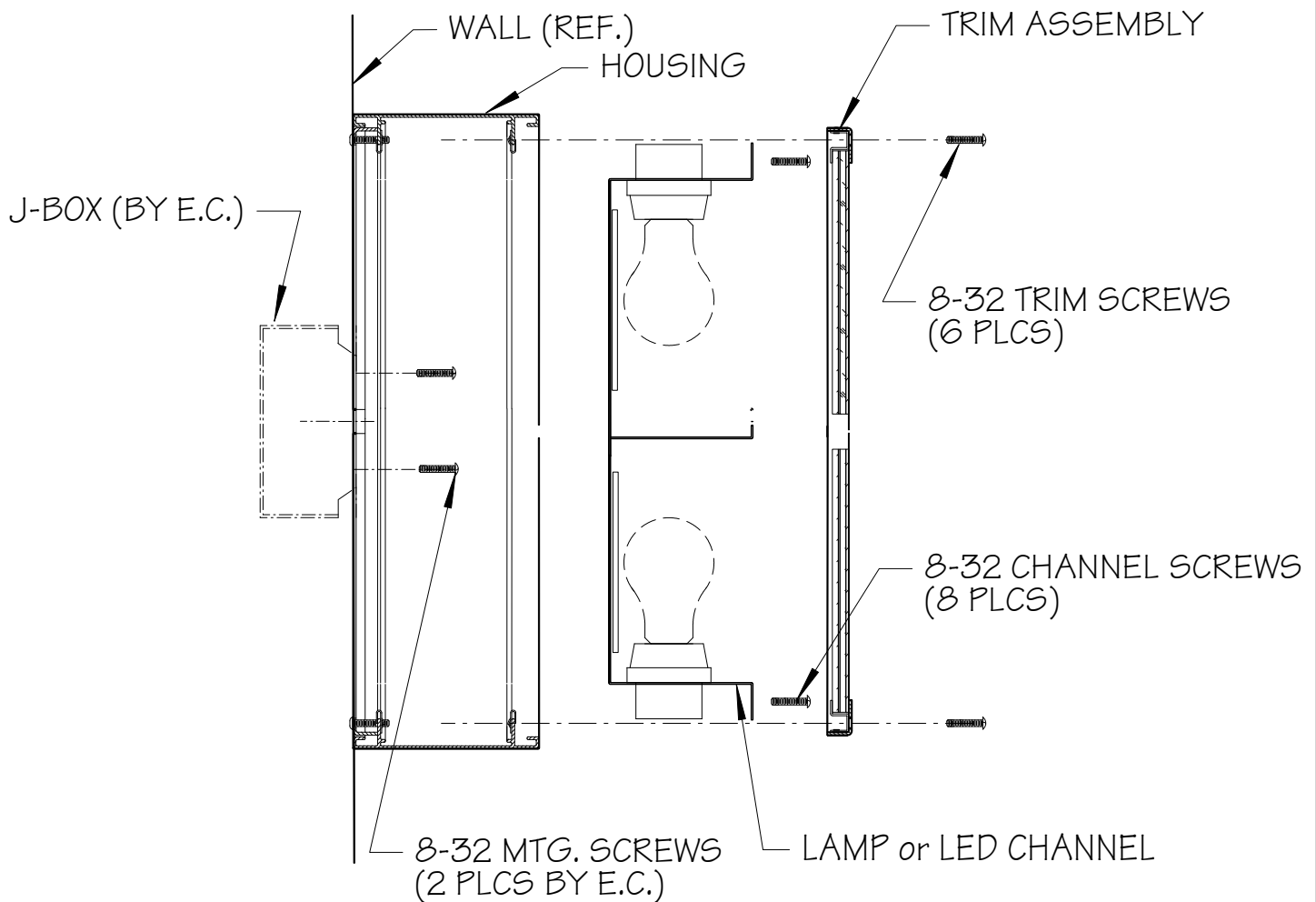
"THIS PRODUCT MUST BE INSTALLED IN ACCORDANCE WITH THE APPLICABLE INSTALLATION CODE BY A PERSON FAMILIAR WITH THE CONSTRUCTION AND OPERATION OF THE PRODUCT AND THE HAZARDS INVOLVED".

REVISIONS

6/23/05

OPEN / CLOSED SIGN INSTRUCTIONS

CATALOG NO.:S355-W



1. Turn off electrical power supplied to fixture
2. Remove (6) 8-32 button hd. soc. cap screws to remove trim assembly.
3. Remove (8) 8-32 pan hd. phillips m. screws to remove lamp channels.
4. Attach housing to j-box using (2) 8-32 screws (by E.C.)
5. Make electrical wire connections to lamp channels. Note that the lamp channels are wired to separate circuits.
6. After completing wire connections, and mounting the housing, Re-install the lamp channels previously removed.
7. Re-attach trim assembly.

NOTE:

"THIS PRODUCT MUST BE INSTALLED IN ACCORDANCE WITH THE APPLICABLE INSTALLATION CODE BY A PERSON FAMILIAR WITH THE CONSTRUCTION AND OPERATION OF THE PRODUCT AND THE HAZARDS INVOLVED".

REVISIONS

3/17/05

COLE
Lighting

2560 N. Rosemead Blvd. So. El Monte, CA 91733 . (626) 443-2473 . Fax: (626) 443-9253