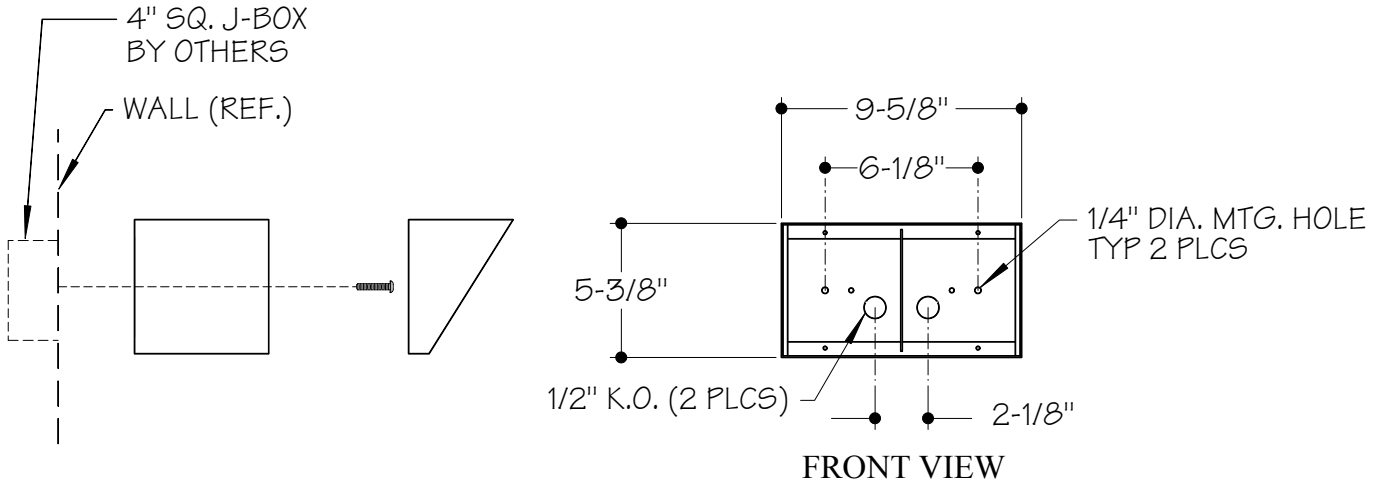


# Installation Instruction Sheet

## 251 SURFACE MOUNT

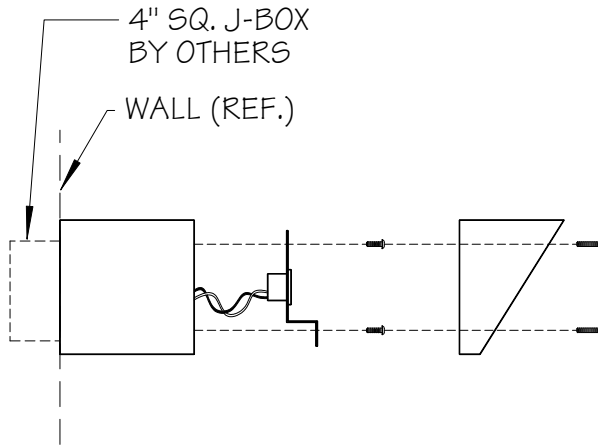


**FRONT VIEW**  
(face plate & channels removed)

### STEP 1

**BE SURE POWER TO UNIT IS TURNED OFF**

Remove face plate and (2) lamp channels. Open up at least one K.O. for wire feed and pull wires into housing. Using (2) 1/4" dia. mtg. holes, attach fixture to wall with appropriate fasteners



### STEP 2

Splice supply wires with lead wires of wired lamp channels.

Replace lamp channels and fasten in place. Re-mount face plate to housing using factory supplied stainless steel oval head phillips m./screws.

**NOTE:**

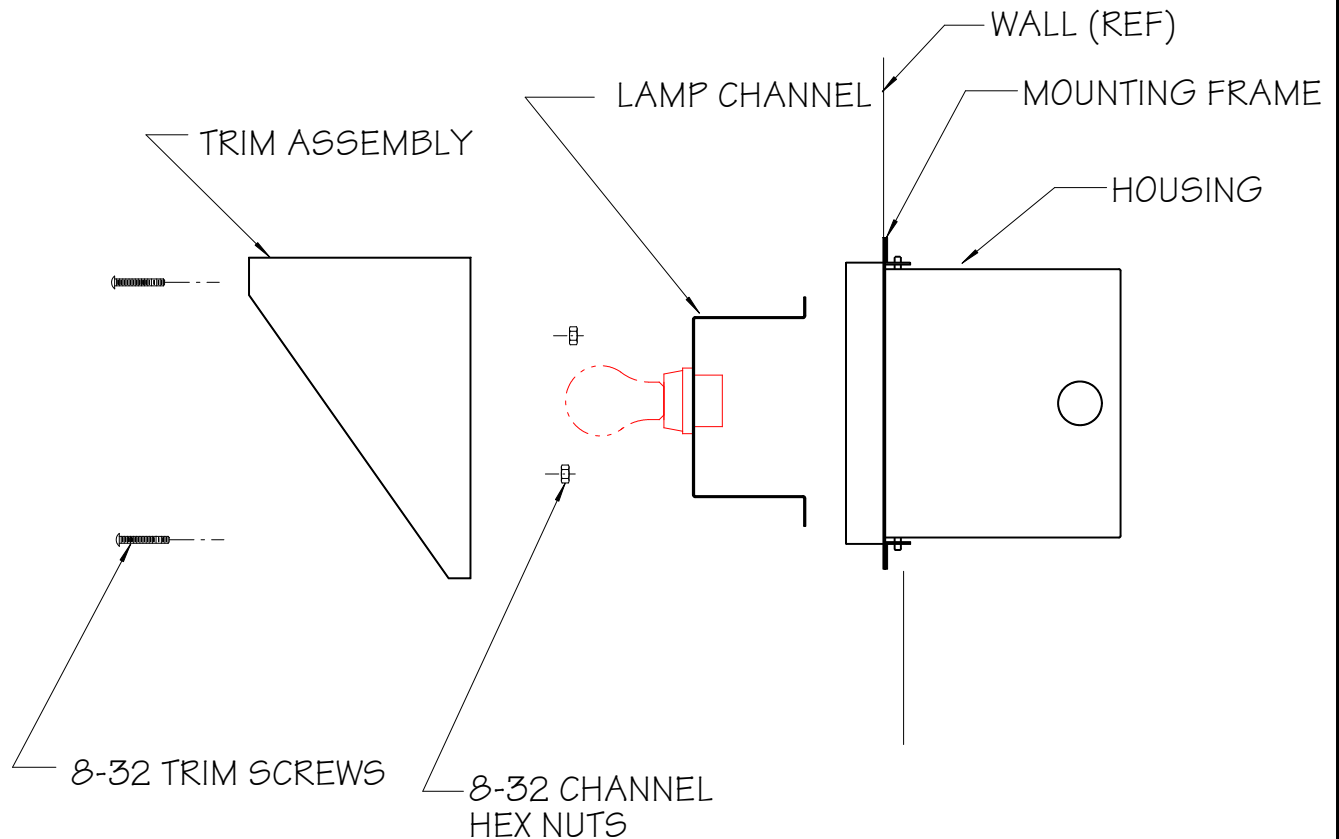
"THIS PRODUCT MUST BE INSTALLED IN ACCORDANCE WITH THE APPLICABLE INSTALLATION CODE BY A PERSON FAMILIAR WITH THE CONSTRUCTION AND OPERATION OF THE PRODUCT AND THE HAZARDS INVOLVED".

REVISIONS

**COLE**  
*Lighting*

# OPEN / CLOSED SIGN INSTRUCTIONS

CATALOG NO.:S251-R



1. Turn off electrical power supplied to fixture
2. Remove (4) 8-32 button hd. soc. cap screws to remove trim assembly.
3. Remove (4) 8-32 hex nuts to remove lamp channels.
4. Install mounting frame to Wall And mount housing
5. Make electrical wire connections to lamp channels. Note that the lamp channels are wired to separate circuits.
6. After completing wire connections, Re-install the lamp channels previously removed.
7. Re-attach trim assembly.

## NOTE:

"THIS PRODUCT MUST BE INSTALLED IN ACCORDANCE WITH THE APPLICABLE INSTALLATION CODE BY A PERSON FAMILIAR WITH THE CONSTRUCTION AND OPERATION OF THE PRODUCT AND THE HAZARDS INVOLVED".

## REVISIONS

6/23/05

**COLE**  
*Lighting*

2560 N. Rosemead Blvd. So. El Monte, CA 91733 . (626) 443-2473 . Fax: (626) 443-9253