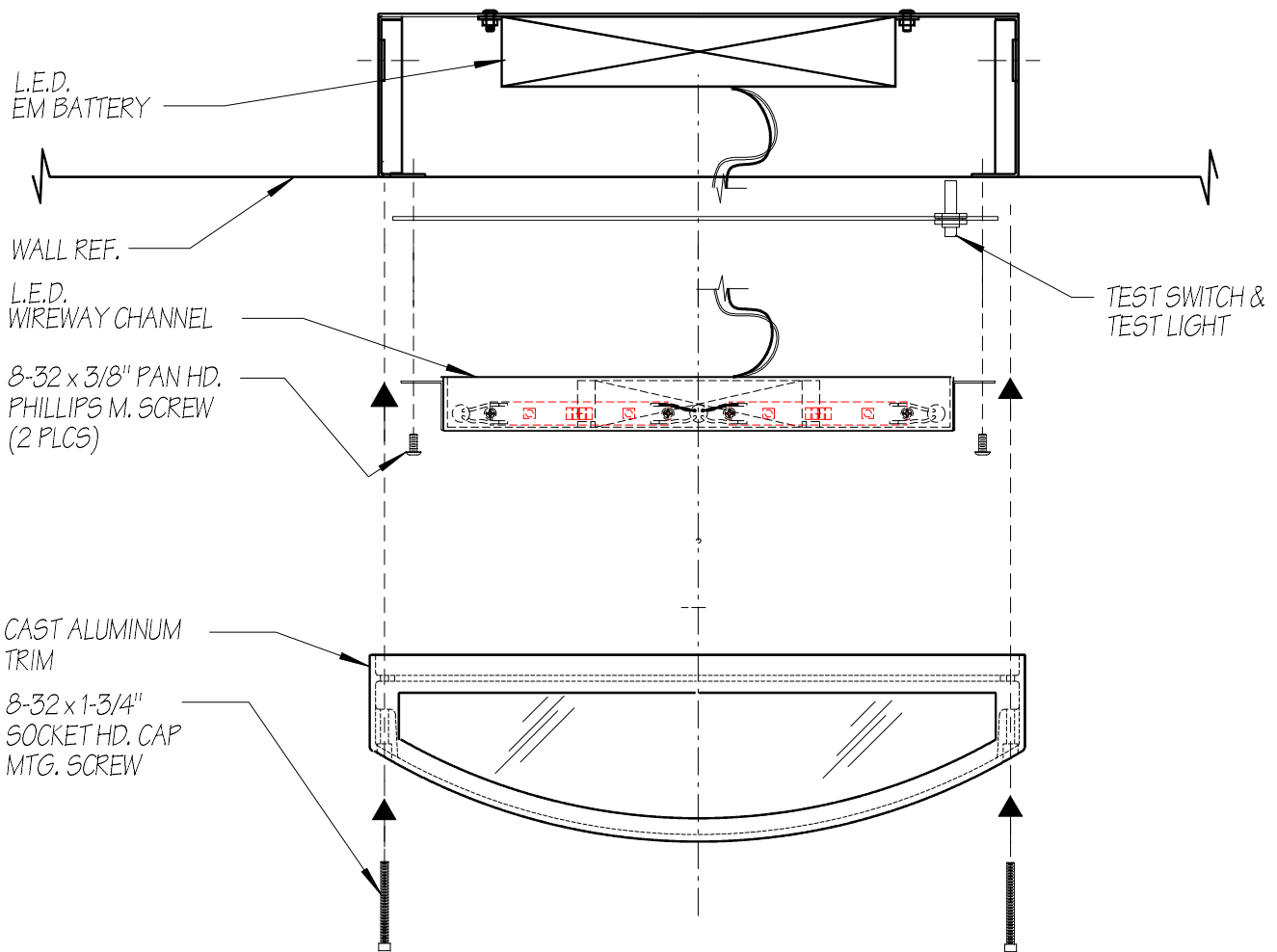


INSTALLATION INSTRUCTION SHEET

L2500/L2600 SERIES FANNYPACK W/ EMERGENCY BATTERY PACK



INSTRUCTION STEPS:

- 1) INSTALL RECESSED BOX INTO WALL.
- 2) CAULK PERIMETER OF RECESSED BOX FOR WATER TIGHT SEAL.
- 3) MAKE ELECTRICAL WIRE CONNECTION TO FIXTURE AND FASTEN WIREWAY CHANNEL TO RECESSED BOX.
- 4) ATTACH TRIM OVER FIXTURE AND FASTEN IN PLACE WITH (4) 8-32 MOUNTING SCREWS.
- 5) CAULK PERIMETER OF TRIM TO WALL TO PROVIDE PROPER SEAL TO WALL.

NOTE:

- * THIS PRODUCT MUST BE INSTALLED IN ACCORDANCE WITH THE APPLICABLE INSTALLATION CODE BY A PERSON FAMILIAR WITH THE CONSTRUCTION AND OPERATION OF THE PRODUCT AND THE HAZARDS INVOLVED.
- * CONTACT WITH ACID-WASH OF ANY TYPE TO ANY SURFACE OF STEPLIGHT WILL/MAY VOID WARRANTY.
- * RECESSED HOUSING NOT SEALED FROM MOISTURE. PROTECTION MUST BE PROVIDED TO PREVENT WATER FROM ENTERING HOUSING.